



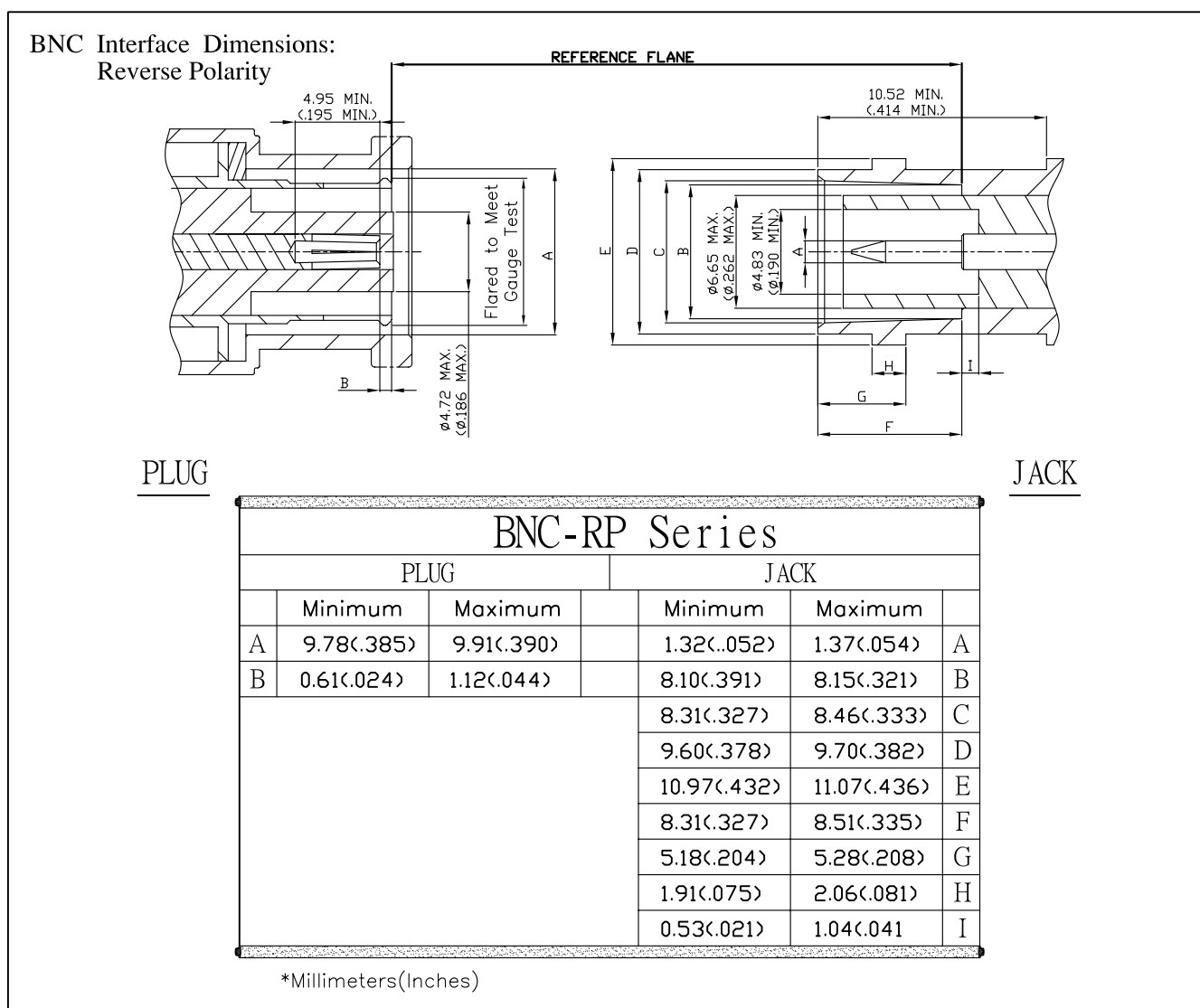
BNC-RP Series

BNC-RP

BNC-RP series utilizes female contacts in the plug connector and male contacts in the jack connector. With such non-standard interface (which has been stipulated by the U.S. FCC ?part 15.203), reverse polarity BNC is designed for uses in wireless applications. For connectors with 50 ohms impedance, RP BNC can be operated to frequencies 4GHz. The BNC-RP is suitable for the standard ranges of flexible cables, and also available as a PCB mounted version.

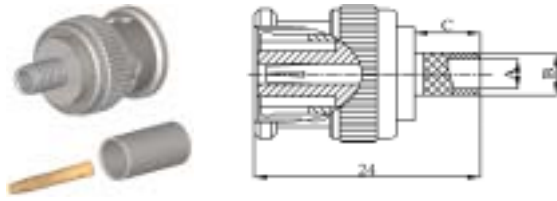
Applications:

*spread spectrum wireless devices

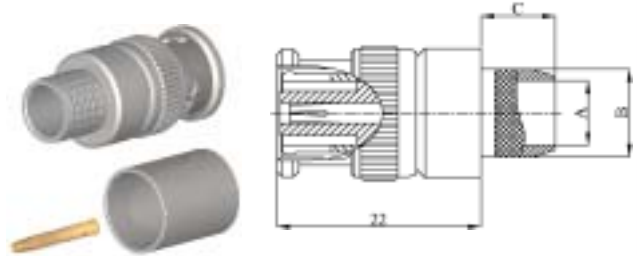




BNC STRAIGHT PLUG CRIMP FOR CABLE TYPE

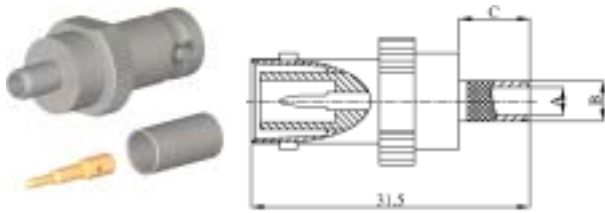


PART NUMBER	A	B	C	CABLE TYPE(RG/U)
BNC-05F-TGN-RP	3.2	4.5	7	58,58A,58C,141A

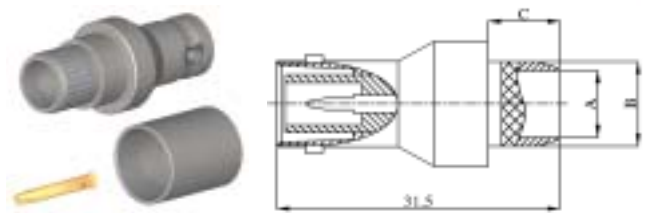


PART NUMBER	A	B	C	CABLE TYPE(RG/U)
BNC-05B-TGN-RP	9.1	9.5	7.3	8A,213

BNC STRAIGHT JACK CRIMP FOR CABLE TYPE

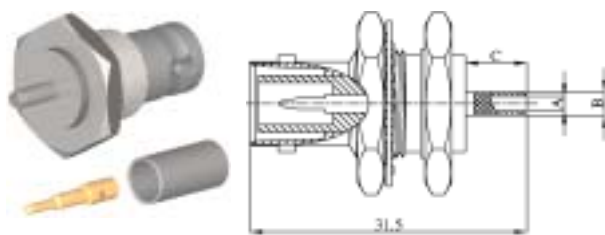


PART NUMBER	A	B	C	CABLE TYPE(RG/U)
BNC-07F-TGN-RP	3.2	4.5	7	58,58A,58C,141A



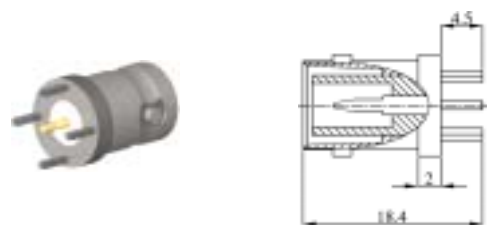
PART NUMBER	A	B	C	CABLE TYPE(RG/U)
BNC-07BV1-TGN-RP	9.1	9.5	7.3	8A,213

BNC BULKHEAD JACK CRIMP FOR CABLE TYPE



PART NUMBER	A	B	C	CABLE TYPE(RG/U)
BNC-06F-TGN-RP	3.2	4.5	7	58,58A,58C,141A

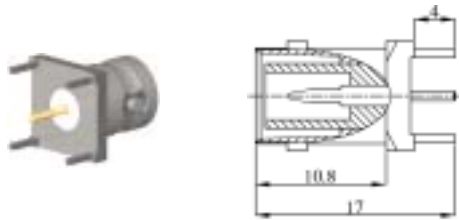
BNC JACK PCB RECEPTACLE



PART NUMBER	BNC-11-TGN-RP

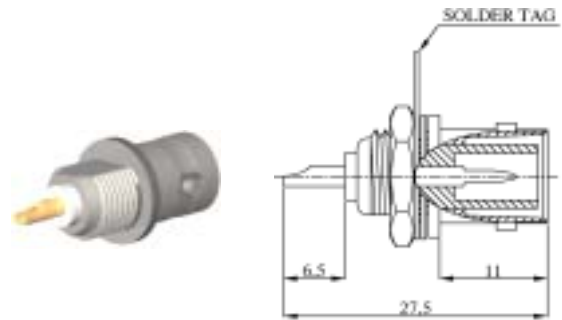
TGN : IEFロン INSULATION + GOLD PLATED CONTACT + NICKEL PLATED BODY
 TGG : IEFロン INSULATION + GOLD PLATED CONTACT + GOLD PLATED BODY
 RP : REVERSE POLARITY

BNC JACK PCB RECEPTACLE



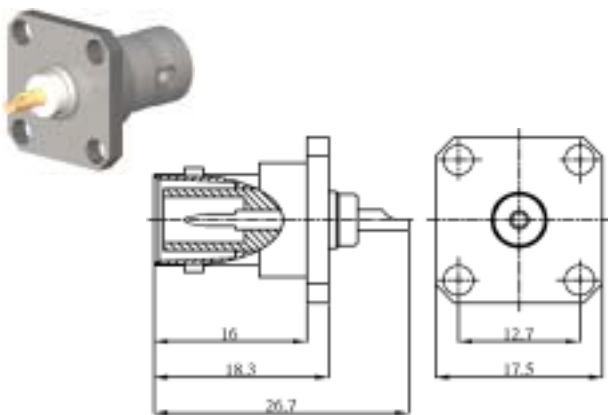
PART NUMBER	BNC-12-TGN-RP
-------------	---------------

BNC BULKHEAD JACK RECEPTACLE



PART NUMBER	BNC-15-TGN-RP
-------------	---------------

BNC JACK 4 HOLES FLANGE MOUNT RECEPTACLE



PART NUMBER	BNC-14-TGN-RP
-------------	---------------