



BNC Series

BNC

BNC (**B**ayonet **N**avy **C**onector) series is one of the most popular coaxial connectors. The BNC incorporates a bayonet lock interface, which provides rapid and reliable intermateability. The impedance of the BNC connector is 50 or 75 ohms both versions will mate together without any restrictions. Respectively with impedance 50 or 75 ohms, BNC connectors can be operated up to 4GHz or 1GHz. This connector range is suitable for the standard types of flexible & semi-rigid cables, and it is also available as a flange or PCB mounted version.

Applications:

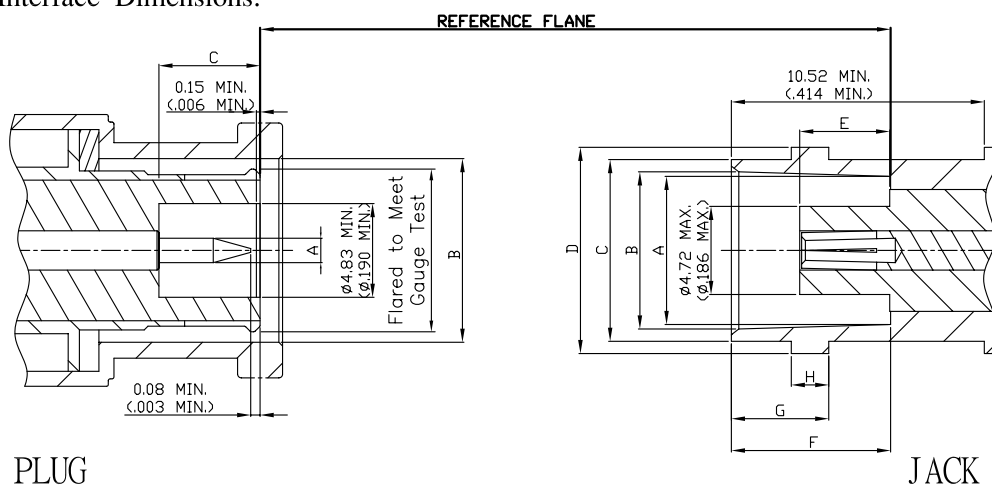
*telecommunication devices *medical equipment *monitor *LANs *test instrumentation

Interface dimensions conformable to the Standards:

International: IEC 169-8

USA: MIL-C-39012

BNC 50Ω Interface Dimensions:



BNC Series						
PLUG			JACK			
	Minimum	Maximum		Minimum	Maximum	
A	1.32<.052>	1.37<.054>		8.10<.391>	8.15<.321>	A
B	9.78<.385>	9.91<.390>		8.31<.327>	8.46<.333>	B
C	5.28<.208>	5.79<.228>		9.60<.378>	9.70<.382>	C
				10.97<.432>	11.07<.436>	D
				4.72<.186>	5.23<.206>	E
				8.31<.327>	8.51<.335>	F
				5.18<.204>	5.28<.208>	G
				1.91<.075>	2.06<.081>	H

*Millimeters(Inches)



Materials :

Connector part	Material	Finish
Bodies	Brass	Nickel or Gold
Center Contact	Male: Brass Female: Brass, Phosphor Bronze, or Beryllium Copper	Gold
Insulator	Delrin or Teflon	N/A
Crimp ferrule	Annealed Copper	Nickel or Gold

Electrical :

Electrical Data	Detail	
Impedance	50 ohm	75 ohm
Frequency range	0-4 GHz	0-1 GHz
Working voltage	500 volts rms max.	
Insulation resistance	5,000 megohms min.	
Dielectric withstanding voltage	1,500 volts rms min.	
Contact resistance	Center contact: 1.5 Milliohms Outer contact: 1.0 Milliohms	
VSWR: f (GHz)	Straight: 1.3 max. Right angle: 1.5 max.	
Insertion loss	0.2 dB max. at 3GHz	

Mechanical :

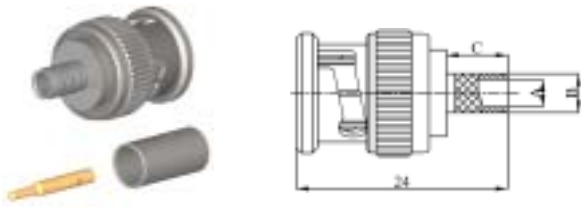
Mechanical Data	Detail
Engagement force	2.5 inch-pound max.
Disengagement force	3 lbs max. Axial force
Connector durability	500 cycles min.
Cable retention force	RG58, 141, 142, 223/U → 40 lbs min. RG174, 188, 316/U → 20 lbs min.

Environmental :

Environmental Data	Detail
Corrosion (Salt spray)	MIL-STD-202 METHOD 101 TEST CONDITION B
Thermal shock	MIL-STD-202 METHOD 107 TEST CONDITION B
Vibration	MIL-STD-202 METHOD 204 TEST CONDITION B
Mechanical shock	MIL-STD-202 METHOD 213 TEST CONDITION I
Temperature range	-65 to 165 (Teflon)

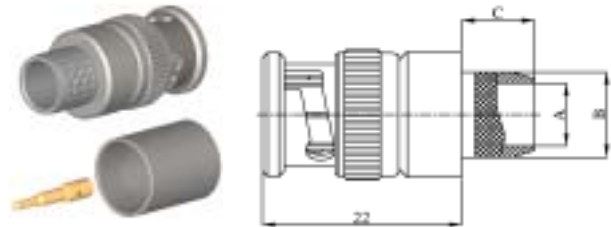
BNC STRAIGHT PLUG FOR CABLE TYPE

CRIMP FOR FLEXIBLE CABLE



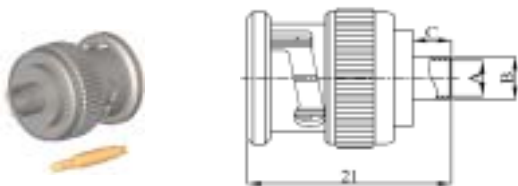
PART NUMBER	A	B	C	CABLE TYPE(RG/U)
BNC-05LV1-TGN	1.7	2.6	5	174,188A,316
BNC-05F-DGN	3.2	4.5	7	58,58A,58C,141A
BNC-05G-DGN	3.8	5.5	7.5	59,59A,59U,62A,210

CRIMP FOR FLEXIBLE CABLE



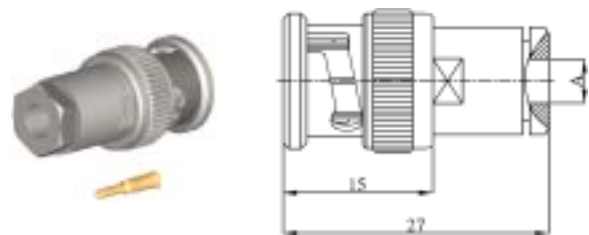
PART NUMBER	A	B	C	CABLE TYPE(RG/U)
BNC-05B-TGN	9.1	9.5	7.3	8A,213
BNC-05C-TGN	9.1	9.5	7.3	9B,214

SOLDER FOR SEMI-RIGID CABLE



PART NUMBER	A	B	C	CABLE TYPE(RG/U)
BNC-05V1-TGN	2.3	3	3	RG405U(.085")
BNC-05V2-TGN	3.7	4.5	3	RG402U(.141")

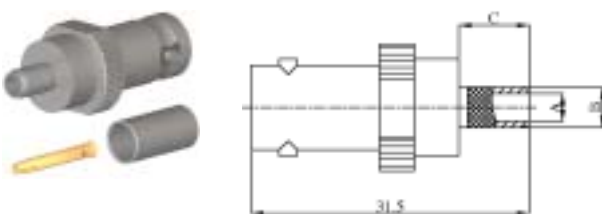
CLAMP FOR FLEXIBLE CABLE



PART NUMBER	A	CABLE TYPE(RG/U)
BNC-01F-DGN	5.3	58,58A,58C,141A
BNC-01G-DGN	6.5	59,59A,59U,62A,210
BNC-01B-TGN	10.7	8A,213

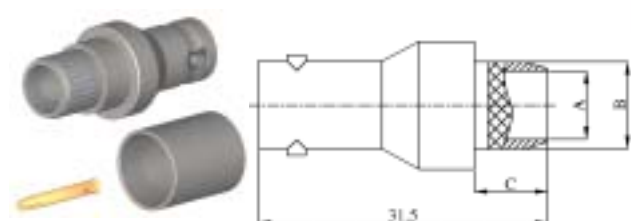
BNC STRAIGHT JACK FOR CABLE TYPE

CRIMP FOR FLEXIBLE CABLE



PART NUMBER	A	B	C	CABLE TYPE(RG/U)
BNC-08FV1-DGN	3.2	4.5	7	58,58A,58C,141A
BNC-08GV1-DGN	3.8	5.5	7.5	59,59A,59U,62A,210

CRIMP FOR FLEXIBLE CABLE



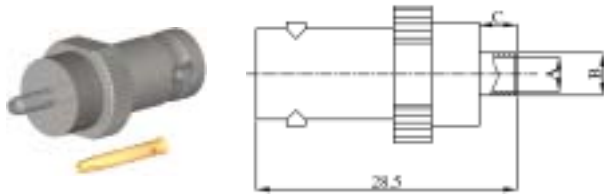
PART NUMBER	A	B	C	CABLE TYPE(RG/U)
BNC-07BV1-TGN	9.1	9.5	7.3	8A,213
BNC-07CV1-TGN	9.1	9.5	7.3	9B,214

TGN : TEFLON INSULATION + GOLD PLATED CONTACT + NICKEL PLATED BODY
 TGG : TEFLON INSULATION + GOLD PLATED CONTACT + GOLD PLATED BODY
 DGN : DELRIN INSULATION + GOLD PLATED CONTACT + NICKEL PLATED BODY

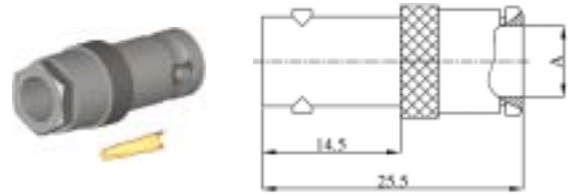


BNC STRAIGHT JACK FOR CABLE TYPE

SOLDER FOR SEMI-RIGID CABLE



CIAMP FOR FLEXIBLE TYPE

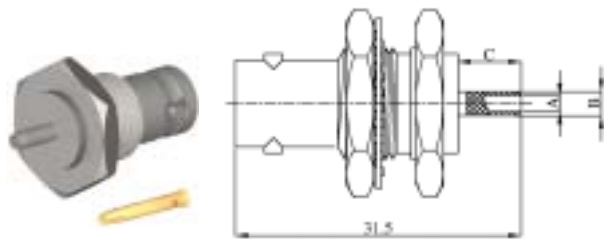


PART NUMBER	A	B	C	CABLE TYPE(RG/U)
BNC-07V1-TGN	2.3	3.0	3.0	RG405U(.085")
BNC-07V2-TGN	3.7	4.5	3.0	RG402U(.141")

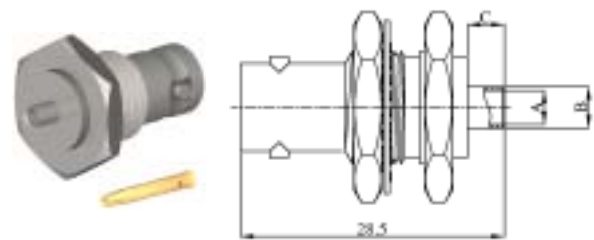
PART NUMBER	A	CABLE TYPE(RG/U)
BNC-03LV1-TGN	5.3	174,188A,316
BNC-03F-DGN	6.5	58,58A,58C,141A
BNC-03G-DGN	10.7	59U

BNC STRAIGHT JACK BULKHEAD FOR CABLE TYPE

CRIMP FOR FLEXIBLE CABLE



SOLDER FOR SEMI-RIGID CABLE

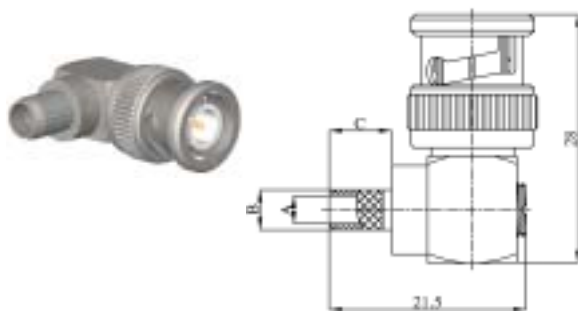


PART NUMBER	A	B	C	CABLE TYPE(RG/U)
BNC-06LV1-TGN	1.7	2.6	7.0	174,188A,316
BNC-06F-DGN	3.2	4.5	7.0	58,58A,58C,141A
BNC-06G-DGN	3.8	5.5	7.5	59U

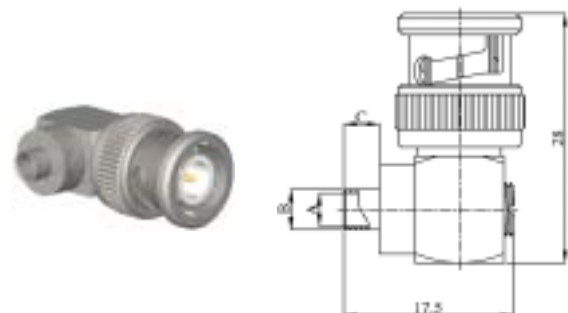
PART NUMBER	A	B	C	CABLE TYPE(RG/U)
BNC-06V1-TGN	2.3	3.0	3.0	RG405U(.085")
BNC-06V2-TGN	3.7	4.5	3.0	RG402U(.141")

BNC RIGHT ANGLE PLUG FOR CABLE TYPE

CRIMP FOR FLEXIBLE CABLE



SOLDER FOR SEMI-RIGID CABLE

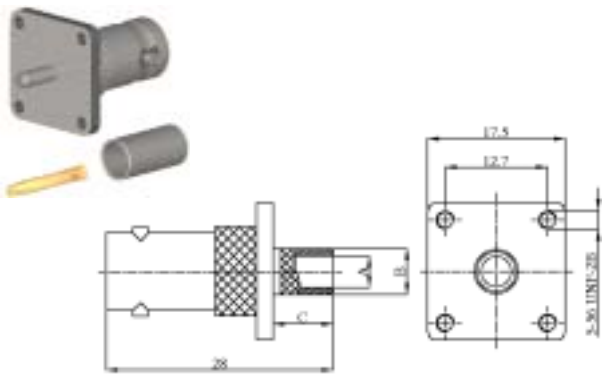


PART NUMBER	A	B	C	CABLE TYPE(RG/U)
BNC-02LV1-TGN	1.7	2.6	7.0	174,188A,316
BNC-02FV1-DGN	3.2	4.5	7.0	58,58A,58C,141A
BNC-02GV1-DGN	3.8	5.5	7.5	59U

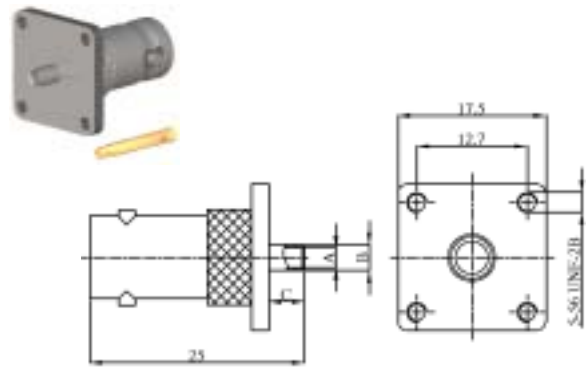
PART NUMBER	A	B	C	CABLE TYPE(RG/U)
BNC-02V1-TGN	2.3	3.0	3.0	RG405U(.085")
BNC-02V2-TGN	3.7	4.5	3.0	RG402U(.141")

TGN : IEFロン INSULATION + GOLD PLATED CONTACT + NICKEL PLATED BODY
 TGG : IEFロン INSULATION + GOLD PLATED CONTACT + GOLD PLATED BODY
 DGN : DELRIN INSULATION + GOLD PLATED CONTACT + NICKEL PLATED BODY

BNC STRAIGHT JACK 4 HOLES FLANGE MOUNT FOR CABLE TYPE

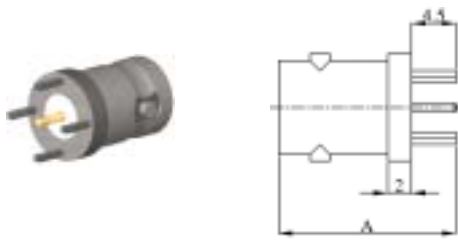


PART NUMBER	A	B	C	CABLE TYPE(RG/U)
BNC-14LV1-TGN	1.7	2.6	5.0	174,188A,316
BNC-14F-DGN	3.2	4.5	7.0	58,58A,58C,141A
BNC-14G-DGN	3.8	5.5	7.5	59U

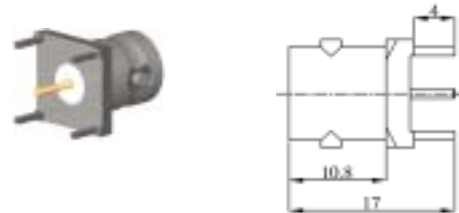


PART NUMBER	A	B	C	CABLE TYPE(RG/U)
BNC-14V1-TGN	2.3	3.0	3.0	RG405U(.085")
BNC-14V2-TGN	3.7	4.5	3.0	RG402U(.141")

BNC STRAIGHT JACK PCB MOUNT

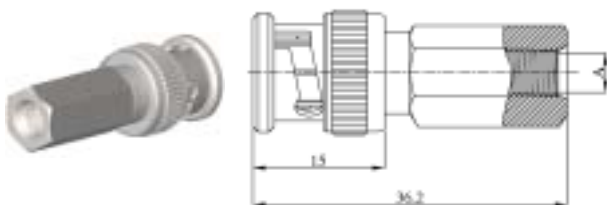


PART NUMBER	A
BNC-11-TGN	18.4
BNC-11V4-TGN	23.0



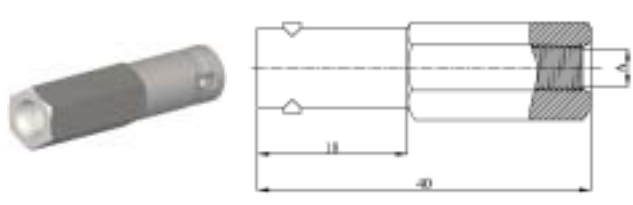
PART NUMBER	BNC-12-TGN
-------------	------------

BNC PLUG TWIST ON



PART NUMBER	A	CABLE TYPE(RG/U)
BNC-09F-DGN	5.3	58,58A,58C,141A
BNC-09G-DGN	6.5	9B,214

BNC JACK TWIST ON



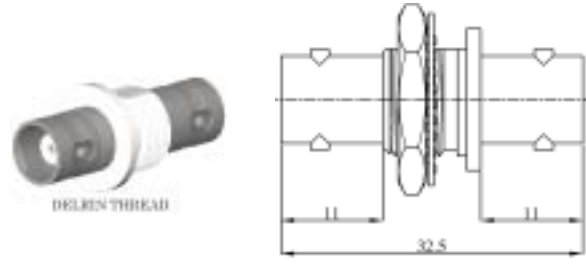
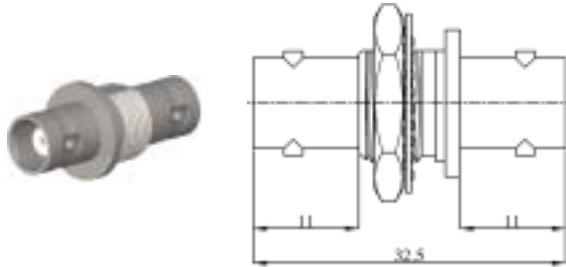
PART NUMBER	A	CABLE TYPE(RG/U)
BNC-10F-DGN	5.3	58,58A,58C,141A
BNC-10G-DGN	6.5	9B,214

TGN : TEFLON INSULATION + GOLD PLATED CONTACT + NICKEL PLATED BODY
 TGG : TEFLON INSULATION + GOLD PLATED CONTACT + GOLD PLATED BODY
 DGN : DELRIN INSULATION + GOLD PLATED CONTACT + NICKEL PLATED BODY



BNC STRAIGHT BULKHEAD JACK-JACK ADAPTOR

DELRIN THREAD

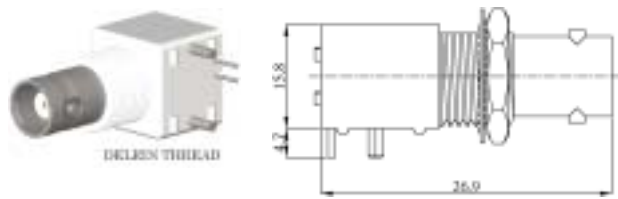
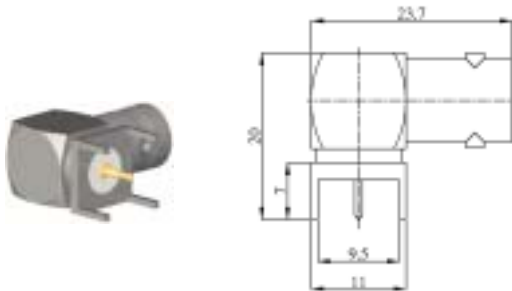


PART NUMBER	BNC-19-DGN
-------------	------------

PART NUMBER	BNC-19V4-DGN
-------------	--------------

BNC RIGHT ANGLE JACK PCB RECEPTACLE

DELRIN THREAD

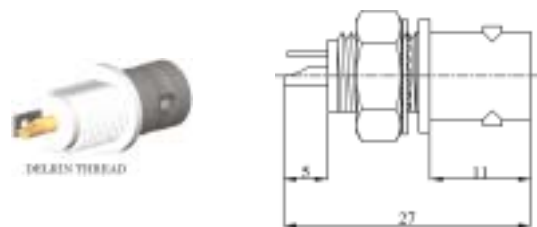
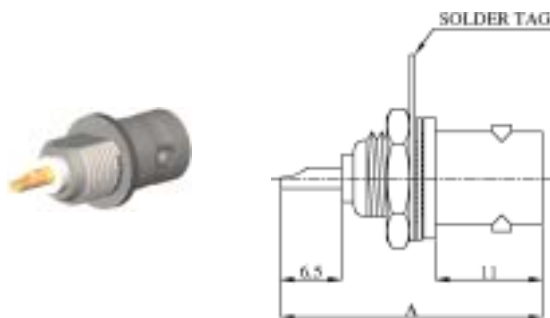


PART NUMBER	BNC-13-DGN
-------------	------------

PART NUMBER	BNC-16-DGN
-------------	------------

BNC STRAIGHT JACK BULKHEAD RECEPTACLE

DELRIN THREAD



PART NUMBER	A
BNC-15-DGN	22
BNC-15V4-DGN	27

PART NUMBER	BNC-18-DGN
-------------	------------

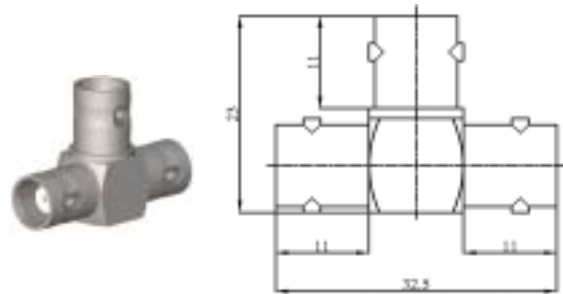
TGN : TEFLON INSULATION + GOLD PLATED CONTACT + NICKEL PLATED BODY
 TGG : TEFLON INSULATION + GOLD PLATED CONTACT + GOLD PLATED BODY
 DGN : DELRIN INSULATION + GOLD PLATED CONTACT + NICKEL PLATED BODY

BNC STRAIGHT JACK-JACK ADAPTOR



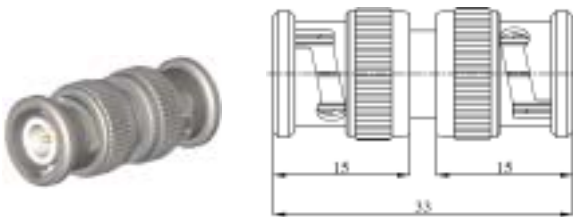
PART NUMBER | BNC-20-DGN

BNC JACK-JACK-JACK ADAPTOR



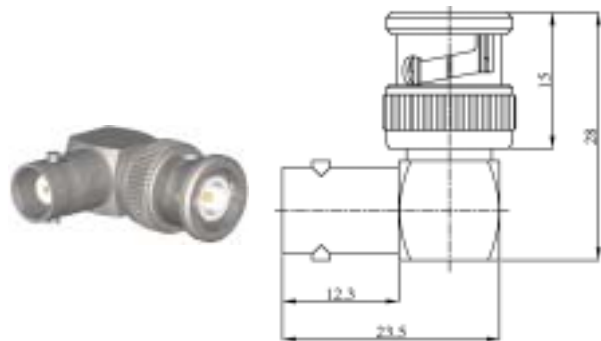
PART NUMBER | BNC-21-DGN

BNC STRAIGHT PLUG-PLUG ADAPTOR



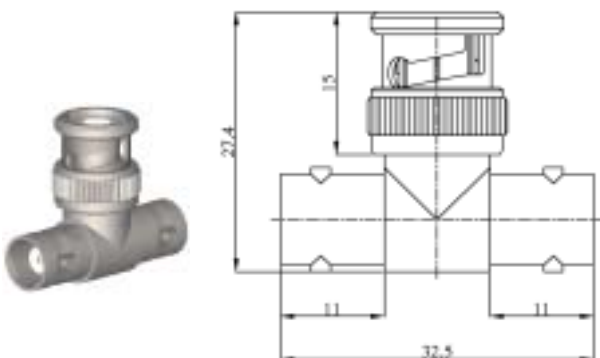
PART NUMBER | BNC-22-DGN

BNC ANGLE PLUG-JACK ADAPTOR



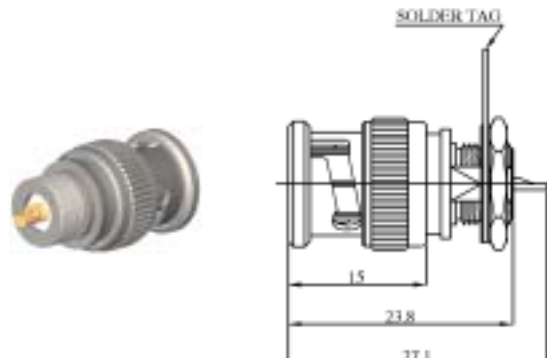
PART NUMBER | BNC-23-DGN

BNC JACK-PLUG-JACK ADAPTOR



PART NUMBER | BNC-24-DGN

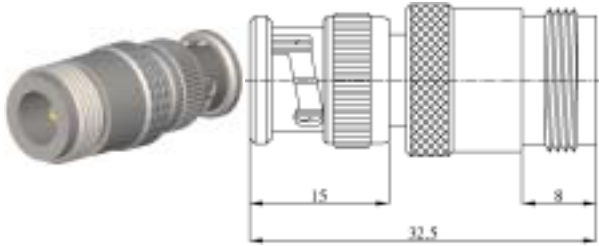
BNC PLUG BULKHEAD RECEPTACLE



PART NUMBER | BNC-17-DGN

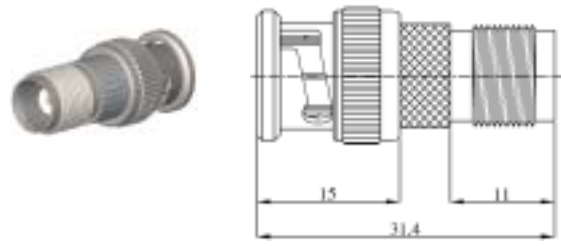


BNC PLUG-N JACK ADAPTOR



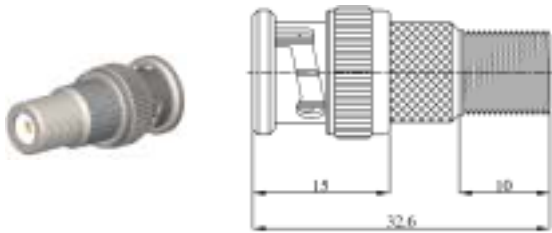
PART NUMBER | BNC-25-DGN

BNC PLUG-TNC JACK ADAPTOR



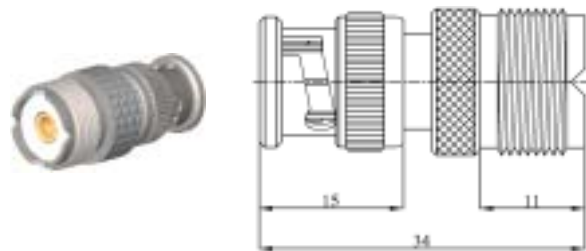
PART NUMBER | BNC-26-DGN

BNC PLUG-F JACK ADAPTOR



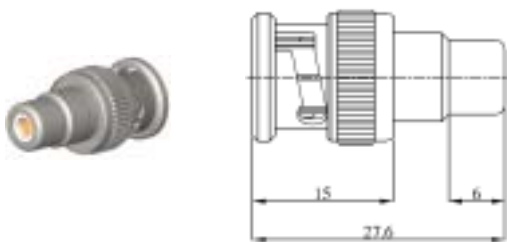
PART NUMBER | BNC-27-DGN

BNC PLUG-UHF JACK ADAPTOR



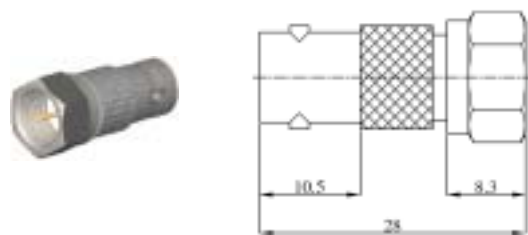
PART NUMBER | BNC-28-DGN

BNC PLUG-RCA JACK ADAPTOR



PART NUMBER | BNC-29-DGN

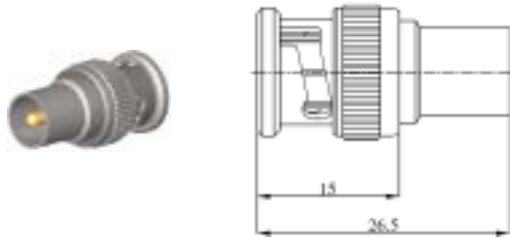
BNC JACK-F PLUG ADAPTOR



PART NUMBER | BNC-30-DGN

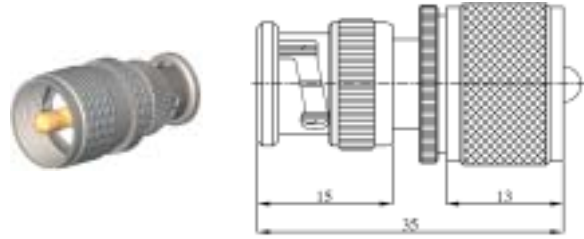
TGN : TEFLON INSULATION + GOLD PLATED CONTACT + NICKEL PLATED BODY
 TGG : TEFLON INSULATION + GOLD PLATED CONTACT + GOLD PLATED BODY
 DGN : DELRIN INSULATION + GOLD PLATED CONTACT + NICKEL PLATED BODY

BNC PLUG-PAL PLUG ADAPTOR



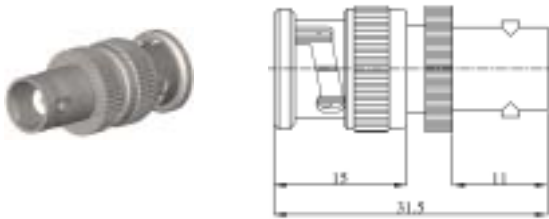
PART NUMBER | BNC-46-DGN

BNC PLUG-UHF PLUG ADAPTOR



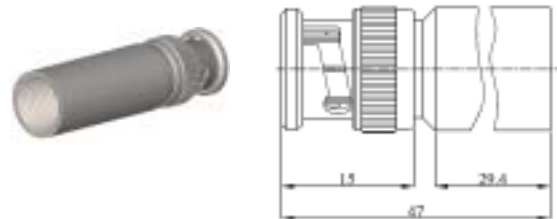
PART NUMBER | BNC-52-DGN

BNC PLUG-JACK ADAPTOR



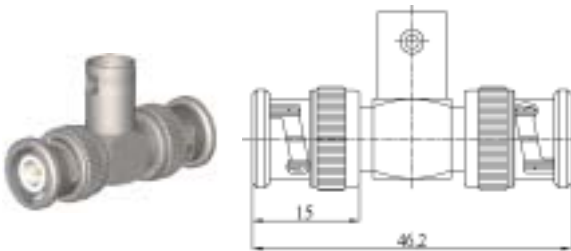
PART NUMBER | BNC-47-DGN

BNC PLUG ANTENNA MOUNT



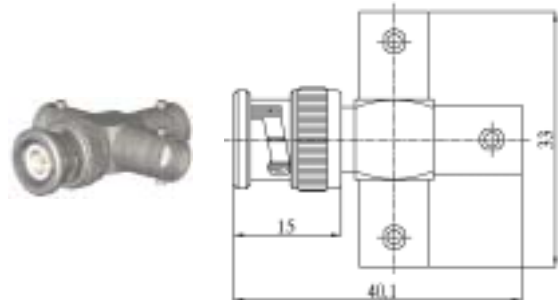
PART NUMBER | BNC-49-DGN

BNC PLUG-JACK-PLUG ADAPTOR



PART NUMBER | BNC-51-DGN

BNC PLUG-JACK-JACK-JACK ADAPTOR

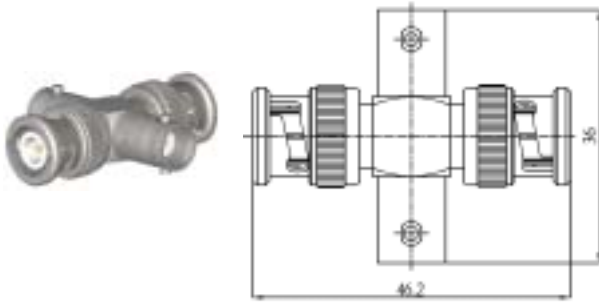


PART NUMBER | BNC-63-DGN

TGN : TEFLON INSULATION + GOLD PLATED CONTACT + NICKEL PLATED BODY
 TGG : TEFLON INSULATION + GOLD PLATED CONTACT + GOLD PLATED BODY
 DGN : DELRIN INSULATION + GOLD PLATED CONTACT + NICKEL PLATED BODY

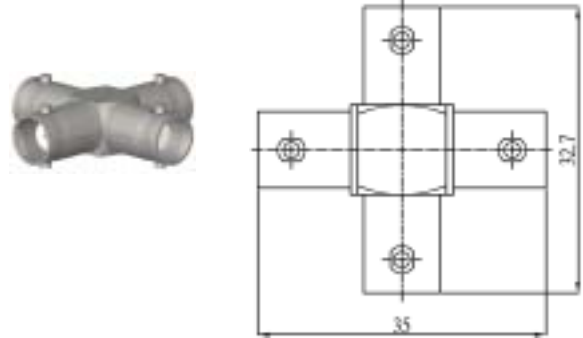


BNC PLUG-JACK-PLUG-JACK ADAPTOR



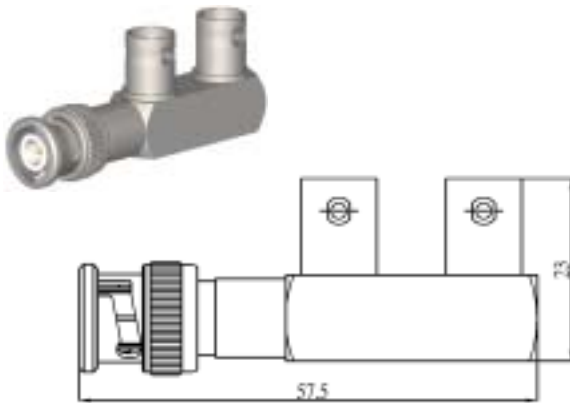
PART NUMBER | BNC-65-DGN

BNC JACK-JACK-JACK-JACK ADAPTOR

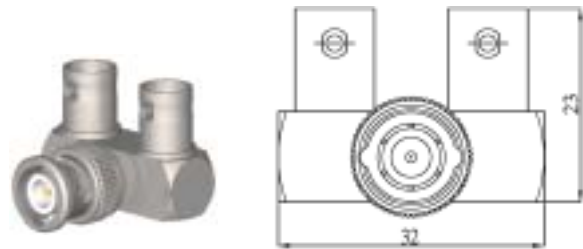


PART NUMBER | BNC-62-DGN

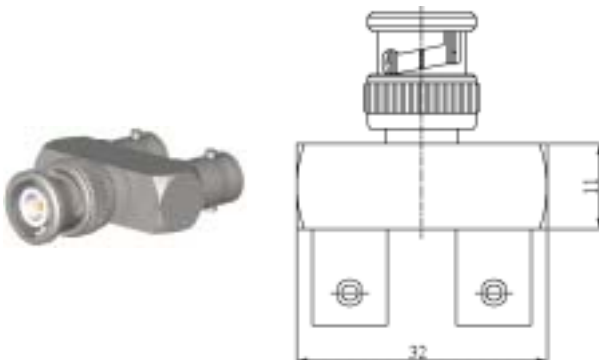
BNC PLUG-JACK - JACK ADAPTOR



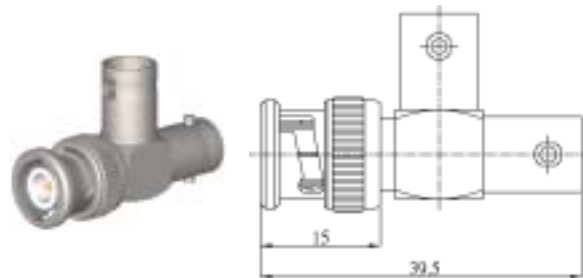
PART NUMBER | BNC-35-DGN



PART NUMBER | BNC-38-DGN



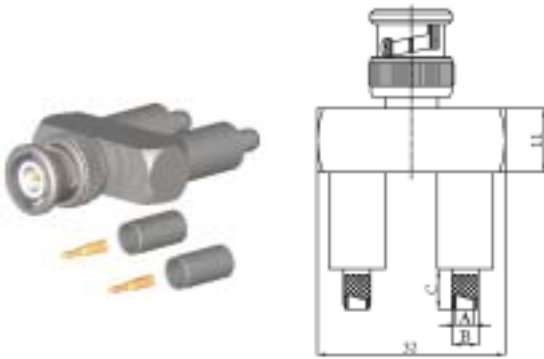
PART NUMBER | BNC-42-DGN



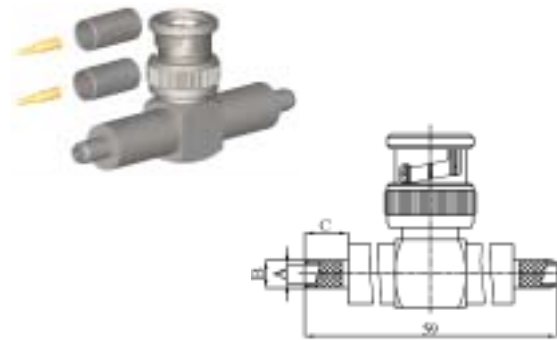
PART NUMBER | BNC-45-DGN

TGN : TEFLON INSULATION + GOLD PLATED CONTACT + NICKEL PLATED BODY
 TGG : TEFLON INSULATION + GOLD PLATED CONTACT + GOLD PLATED BODY
 DGN : DELRIN INSULATION + GOLD PLATED CONTACT + NICKEL PLATED BODY

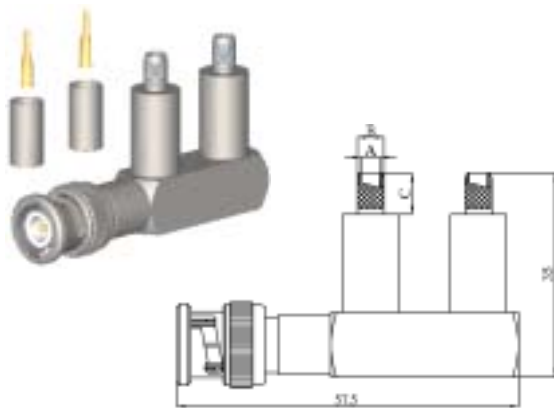
BNC PLUG WITH DOUBLE CRIMP FOR FLEXIBLE CABLE



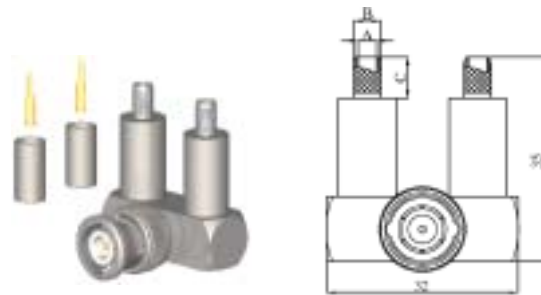
PART NUMBER	A	B	C	CABLE TYPE(RG/U)
BNC-40F-DGN	3.2	4.5	7	58,58A,58C,141A
BNC-40G-DGN	3.8	5.5	7.5	59,59A,62A,210



PART NUMBER	A	B	C	CABLE TYPE(RG/U)
BNC-41F-DGN	3.2	4.5	7	58,58A,58C,141A
BNC-41G-DGN	3.8	5.5	7.5	59,59A,62A,210

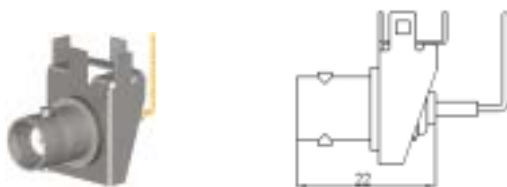


PART NUMBER	A	B	C	CABLE TYPE(RG/U)
BNC-43F-DGN	3.2	4.5	7	58,58A,58C,141A
BNC-43G-DGN	3.8	5.5	7.5	59,59A,62A,210

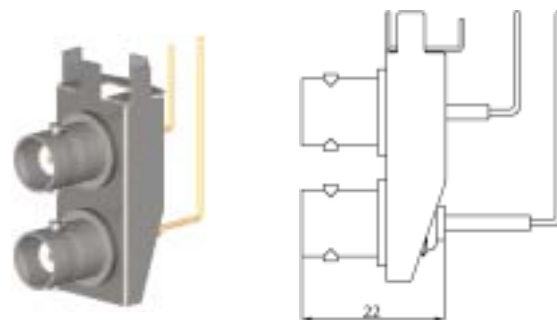


PART NUMBER	A	B	C	CABLE TYPE(RG/U)
BNC-44F-DGN	3.2	4.5	7	58,58A,58C,141A
BNC-44G-DGN	3.8	5.5	7.5	59,59A,62A,210

BNC JACK CHASSIS PCB MOUNT



PART NUMBER	BNC-64-DGN
-------------	------------



PART NUMBER	BNC-75-DGN
-------------	------------

TGN : TEFLON INSULATION + GOLD PLATED CONTACT + NICKEL PLATED BODY
 TGG : TEFLON INSULATION + GOLD PLATED CONTACT + GOLD PLATED BODY
 DGN : DELRIN INSULATION + GOLD PLATED CONTACT + NICKEL PLATED BODY