



F Series

F Series

F series is a low cost and low frequency connector, which is supplied with a threaded coupling interface. Mostly, the plug type utilizes the center contacts of the cable rather than a separately applied pin. The impedance of F connector is controlled at 75 ohms, and this series can be used up to frequencies 2GHz. The F is suitable for the standard ranges of flexible cables, and also available as a PCB mounted version.

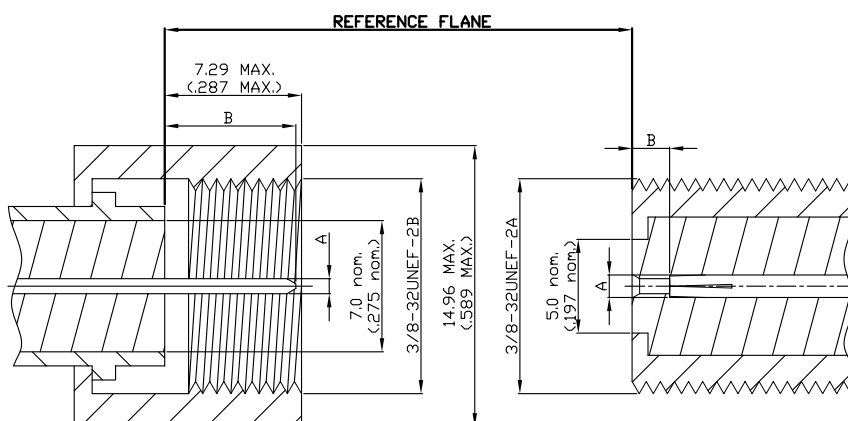
Applications:

*TV *MTV *satellite communication

Interface dimensions conformable to the Standards:

International: IEC 169-24

F Interface Dimensions:



PLUG

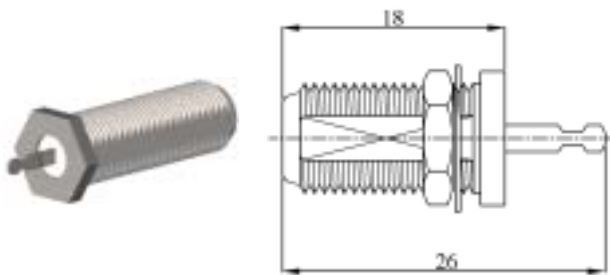
JACK

F Series					
PLUG			JACK		
	Minimum	Maximum		Minimum	Maximum
A	0.76<.030>	0.86<.034>		1.12<.044>	1.24<.049>
B	5.72<.225>	7.11<.280>		2.00<.079>	2.60<.102>

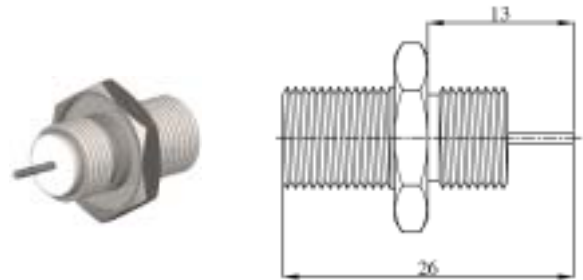
*Millimeters(Inches)



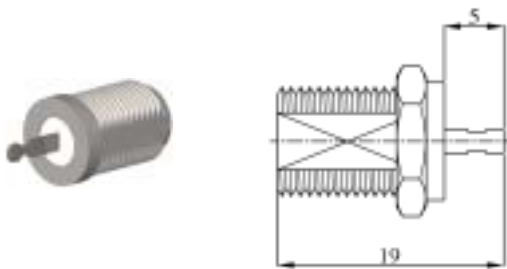
F STRAIGHT JACK BULKHEAD RECEPTACLE



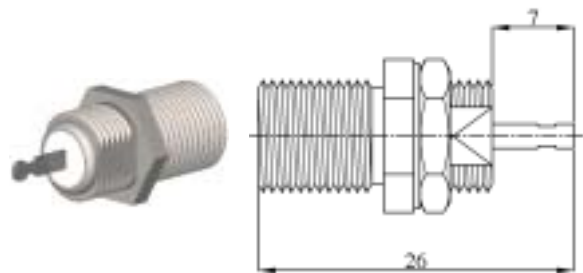
PART NUMBER	F-15-DTN
-------------	----------



PART NUMBER	F-15V4- DTN
-------------	-------------

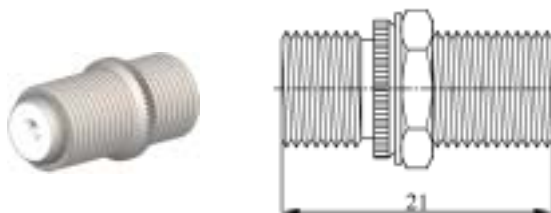


PART NUMBER	F-17- DTN
-------------	-----------

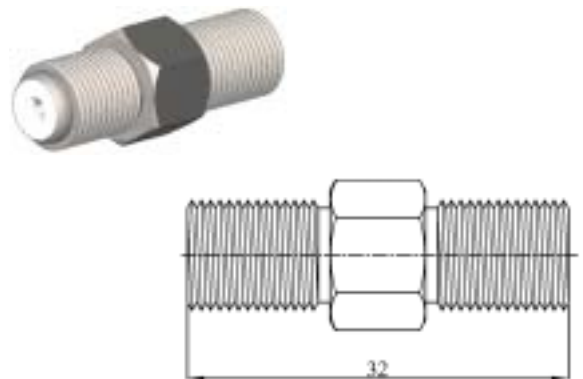


PART NUMBER	F-18- DTN
-------------	-----------

F STRAIGHT JACK-JACK ADAPTOR



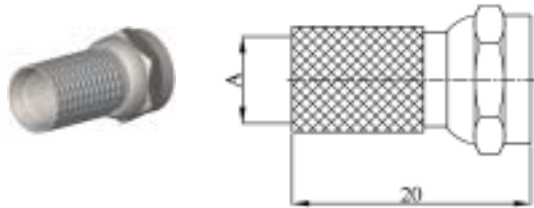
PART NUMBER	F-22- DTN
-------------	-----------



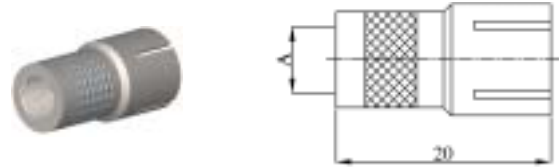
PART NUMBER	F-19- DTN
-------------	-----------

DGN: DELRIN INSULATION + GOLD PLATED CONTACT + NICKEL PLATED BODY
 DNN: DELRIN INSULATION + NICKEL PLATED CONTACT + NICKEL PLATED BODY
 DTN: DELRIN INSULATION + TIN PLATED CONTACT + NICKEL PLATED BODY

F STRAIGHT PLUG TWIST ON

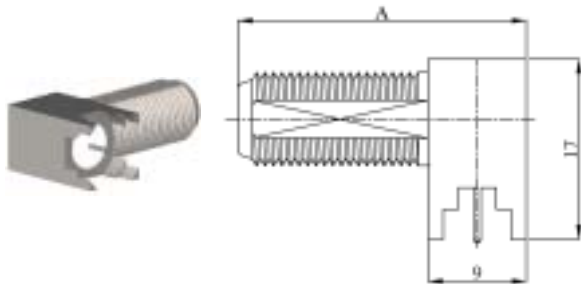


PART NUMBER	A	CABLE TYPE(RG/U)
F-10A-NICKEL	6.5	6A/U,6/U
F-10F-NICKEL	5.3	58,58A,58C,141A
F-10G-NICKEL	5.6	9B,214

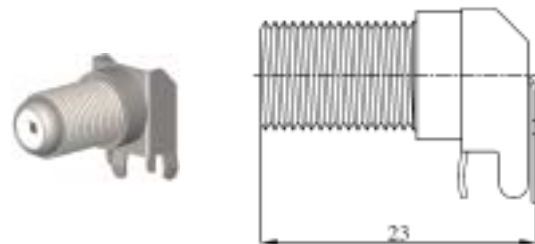


PART NUMBER	A	CABLE TYPE(RG/U)
F-11A-NICKEL	6.5	6A/U,6/U
F-11F-NICKEL	5.3	58,58A,58C,141A
F-11G-NICKEL	5.6	9B,214

F RIGHT ANGLE JACK PCB MOUNT

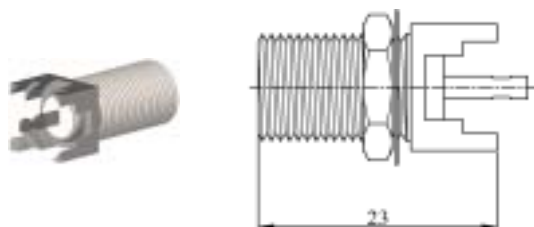


PART NUMBER	A
F-13- DTN	28
F-13V4- DTN	32.5

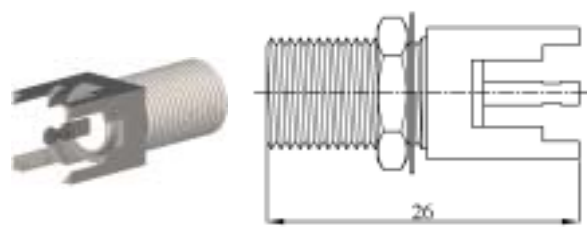


PART NUMBER	F-13V5- DTN

F STRAIGHT JACK PCB MOUNT



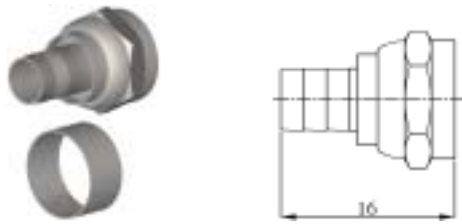
PART NUMBER	F-14- DTN



PART NUMBER	F-16- DTN



F STRAIGHT PLUG CRIMP FOR FLEXIBLE CABLE



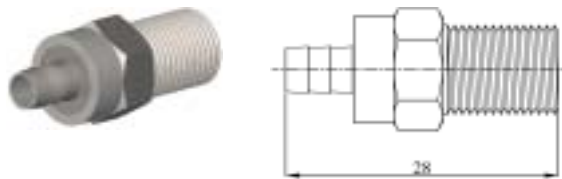
PART NUMBER	A	CABLE TYPE(RG/U)
F-01A-NICKEL	6.5	6A/U,6/U
F-01F-NICKEL	5.3	58,58A,58C,141A
F-01G-NICKEL	5.6	9B,214

F STRAIGHT PLUG CRIMP W/ATTACHED RING



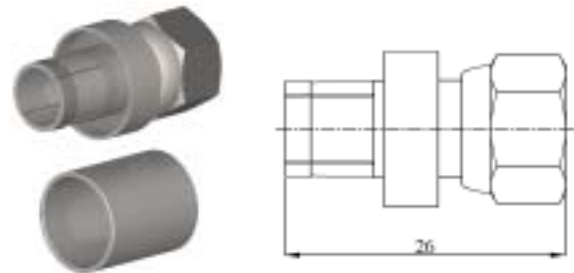
PART NUMBER	A	CABLE TYPE(RG/U)
F-05A-NICKEL	6.5	6A/U,6/U
F-05F-NICKEL	5.3	58,58A,58C,141A
F-05G-NICKEL	5.6	9B,214

F STRAIGHT JACK CRIMP FOR FLEXIBLE CABLE



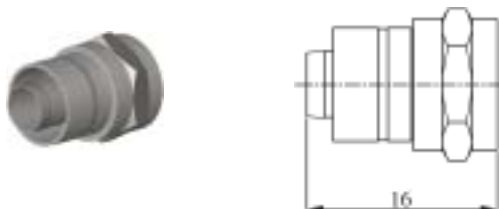
PART NUMBER	F-04-DTN

F STRAIGHT PLUG CRIMP FOR RG 11A/U

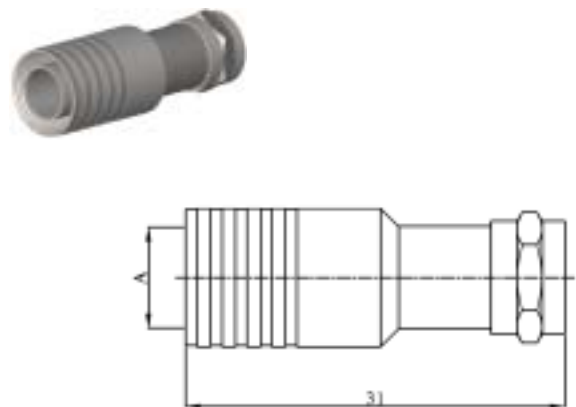


PART NUMBER	F-03D-DTN

F STRAIGHT PLUG CRIMP W/ATTACHED RING



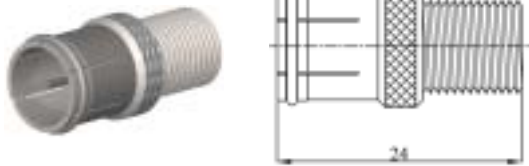
PART NUMBER	A	CABLE TYPE(RG/U)
F-06A-NICKEL	6.5	6A/U,6/U
F-06F-NICKEL	5.3	58,58A,58C,141A
F-06G-NICKEL	5.6	9B,214



PART NUMBER	F-07D-DTN

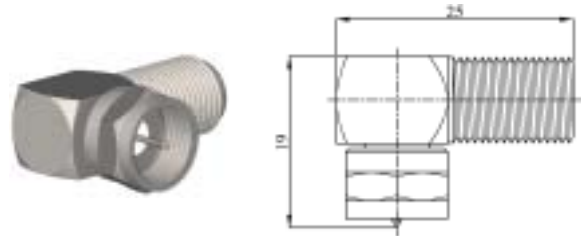
DGN: DELRIN INSULATION + GOLD PLATED CONTACT + NICKEL PLATED BODY
 DNN: DELRIN INSULATION + NICKEL PLATED CONTACT + NICKEL PLATED BODY
 DTN: DELRIN INSULATION + TIN PLATED CONTACT + NICKEL PLATED BODY

F STRAIGHT PLUG-JACK ADAPTOR



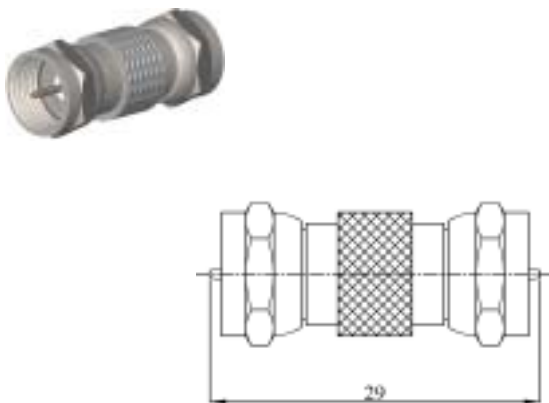
PART NUMBER | F-23-DNN

F RIGHT ANGLE PLUG-JACK ADAPTOR



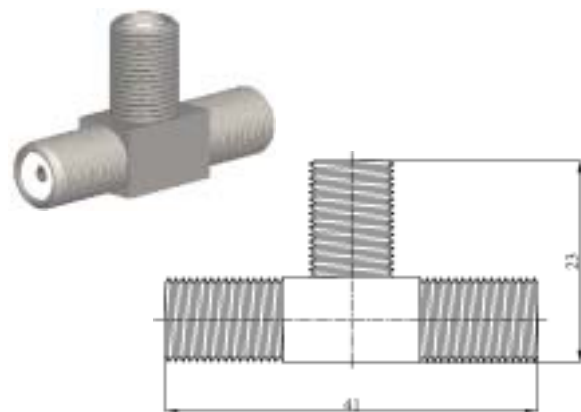
PART NUMBER | F-24-DNN

F STRAIGHT PLUG-PLUG ADAPTOR



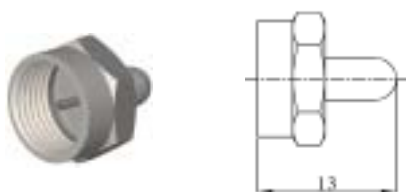
PART NUMBER | F-20-DNN

F JACK-JACK-JACK ADAPTOR



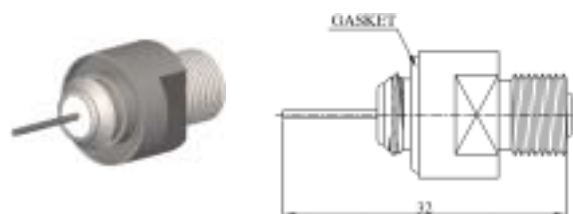
PART NUMBER | F-37-DNN

F PLUG DUMMY LOAD 75 OHM



PART NUMBER | F-21-NICKEL

F JACK BULKHEAD SOLDER



PART NUMBER | F-38-TNN