



# MINI-UHF Series

## MINI-UHF

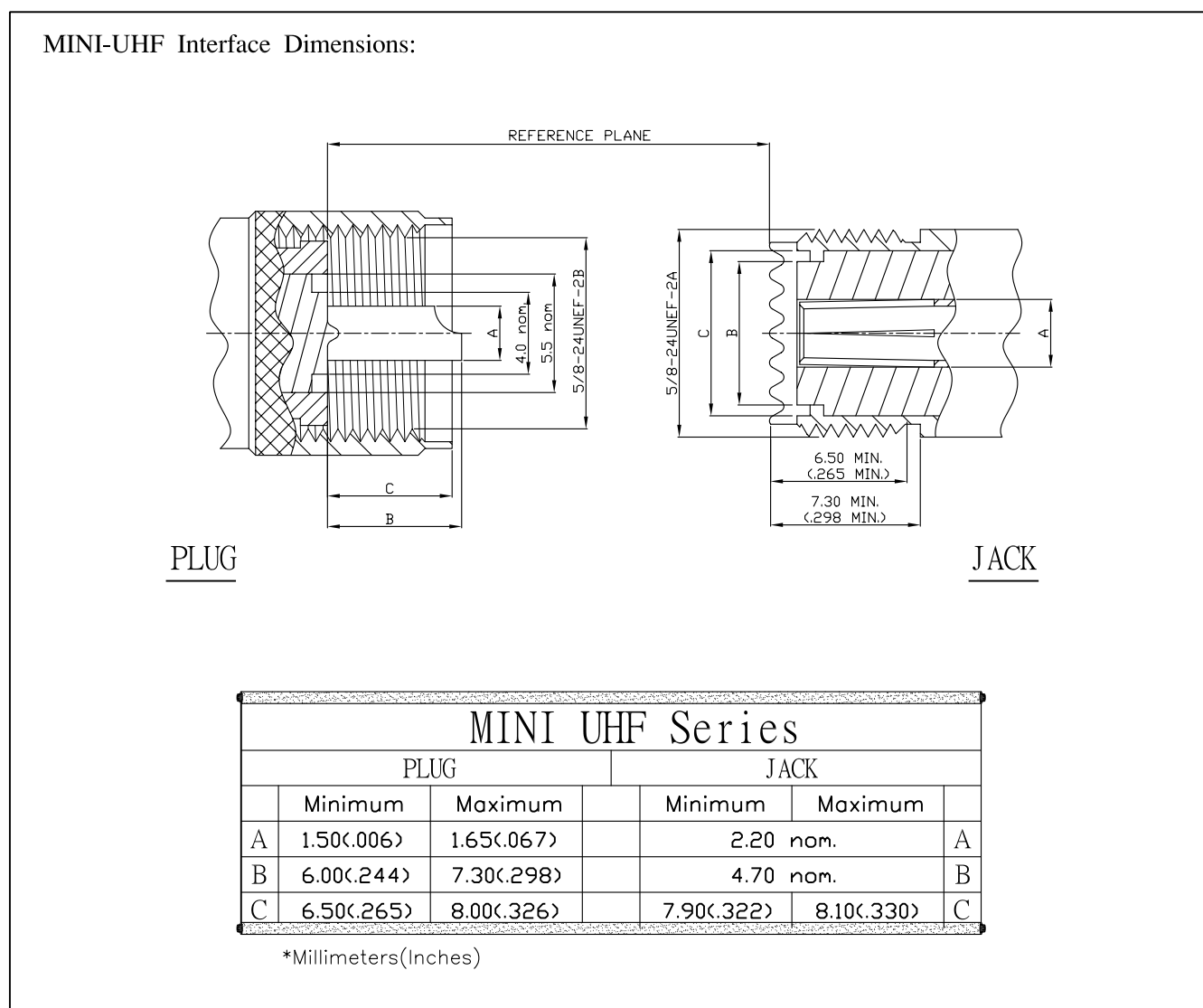
MINI-UHF series is a miniature screw coupling coaxial connector, which is mechanically smaller than UHF connector, but has improved in electrical performance. The MINI-UHF can be operated up to 2.5GHz, and its impedance is controlled at 50 ohms. This connector is suitable for the standard ranges of flexible cables.

### Applications:

\*cellular mobile telephone \*telecommunications \*low cost local area networks

### Interface dimensions conformable to the Standards:

International: IEC 169-34





Materials :

Connector part	Material	Finish
Bodies	Brass	Nickel or Gold
Center Contact	Male: Brass Female: Brass, Phosphor Bronze, or Beryllium Copper	Gold
Insulator	Delrin or Teflon	N/A
Crimp ferrule	Annealed Copper	Nickel or Gold

Electrical :

Electrical Data	Detail
Impedance	50 ohm
Frequency range	0-2.5GHz
Working voltage	335 volts rms max.
Insulation resistance	5,000 megohms min.
Dielectric withstanding voltage	1,000 volts rms min.
Contact resistance	Center contact: 3 Milliohms Outer contact: 5 Milliohms
VSWR: f(GHz)	Straight: 1.25 max. Right angle: 1.35 max.
Insertion loss	0.2 dB max. at 1GHz

Mechanical :

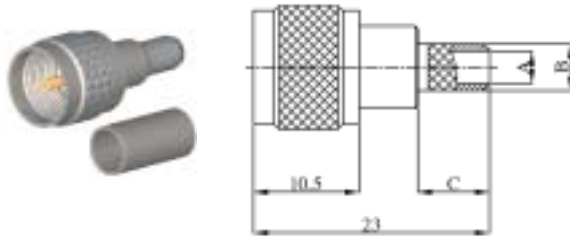
Mechanical Data	Detail
Engagement force	2 inch-pound max.
Disengagement force	2 inch-pound
Connector durability	500 cycles min.
Cable retention force	RG58, 141, 142, 223/U → 40 lbs min. RG174, 188, 316/U → 20 lbs min.

Environmental :

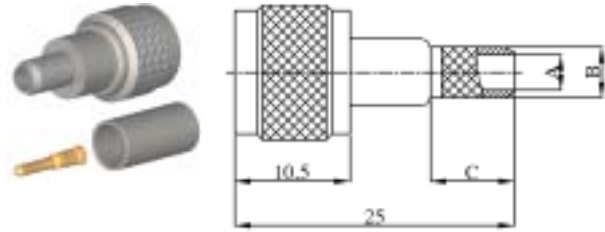
Environmental Data	Detail
Corrosion (Salt spray)	MIL-STD-202 METHOD 101 TEST CONDITION B
Thermal shock	MIL-STD-202 METHOD 107 TEST CONDITION B
Vibration	MIL-STD-202 METHOD 204 TEST CONDITION B
Mechanical shock	MIL-STD-202 METHOD 213 TEST CONDITION I
Temperature range	-65 to 165 (Teflon)

## MINI UHF STRAIGHT PLUG CRIMP FOR CABLE TYPE

SEPARATE PARTS

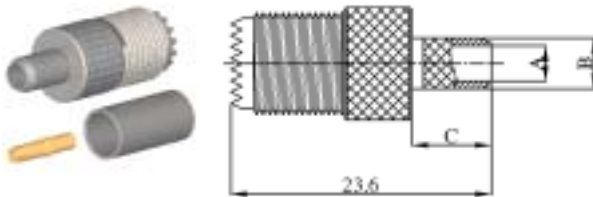


PART NUMBER	A	B	C	CABLE TYPE(RG/U)
MU-03F-DGN	3.2	4.5	7	58,58A,58C,141A
MU-03G-DGN	3.8	5.5	7.5	9B/U,214



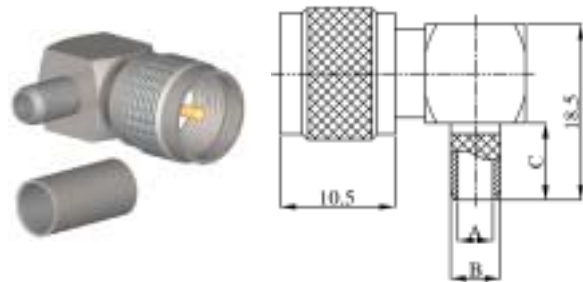
PART NUMBER	A	B	C	CABLE TYPE(RG/U)
MU-02F-DGN	3.2	4.5	7	58,58A,58C,141A
MU-02G-DGN	3.8	5.5	7.5	9B/U,214

## MINI UHF STRAIGHT JACKCRIMP FOR CABLE TYPE



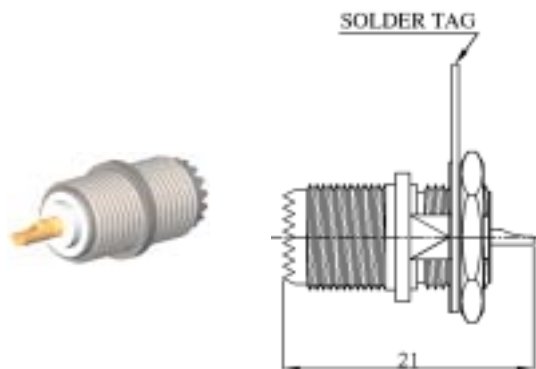
PART NUMBER	A	B	C	CABLE TYPE(RG/U)
MU-01F-DGN	3.2	4.5	7	58,58A,58C,141A
MU-01G-DGN	3.8	5.5	7.5	9B/U,214

## MINI UHF RIGHT ANGLE PLUG FOR CABLE TYPE



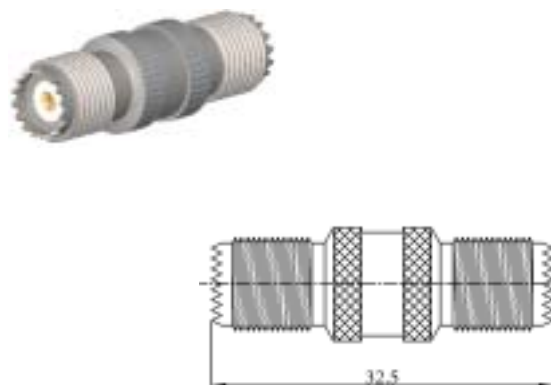
PART NUMBER	A	B	C	CABLE TYPE(RG/U)
MU-16F-DGN	3.2	4.5	7	58,58A,58C,141A
MU-16G-DGN	3.8	5.5	7.5	9B/U,214

## MINI UHF STRAIGHT JACK BULKHEAD RECEPTACLE



PART NUMBER	MU-05-DGN

## MINI UHF JACK-JACK ADAPTOR

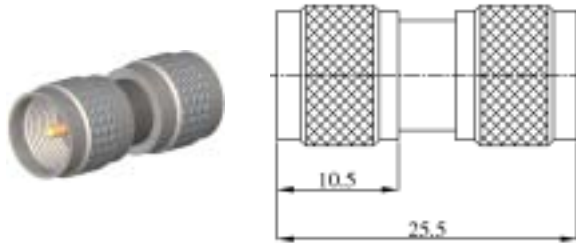


PART NUMBER	MU-08-DGN

TGN : TEFLON INSULATION + GOLD PLATED CONTACT + NICKEL PLATED BODY  
 TGG : TEFLON INSULATION + GOLD PLATED CONTACT + GOLD PLATED BODY  
 DGN : DELRIN INSULATION + GOLD PLATED CONTACT + NICKEL PLATED BODY

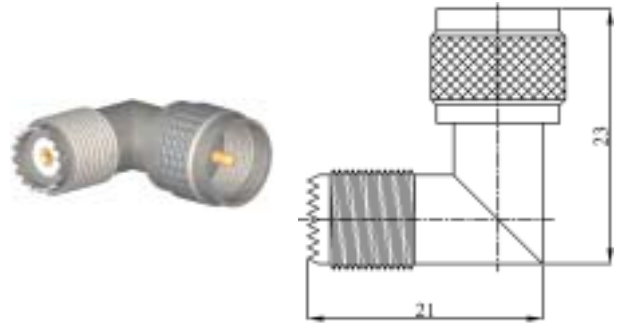


### MINI UHF PLUG-PLUG ADAPTOR



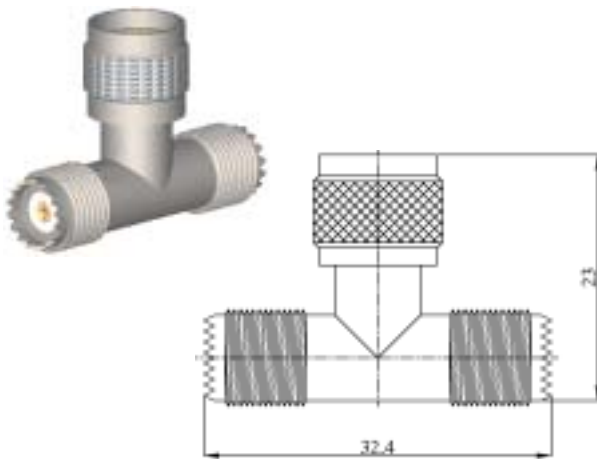
PART NUMBER | MU-20-DGN

### MINI UHF ANGLE PLUG-JACK ADAPTOR



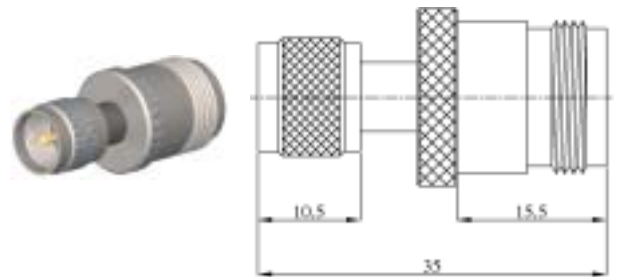
PART NUMBER | MU-21-DGN

### MINI UHF JACK-PLUG-JACK ADAPTOR



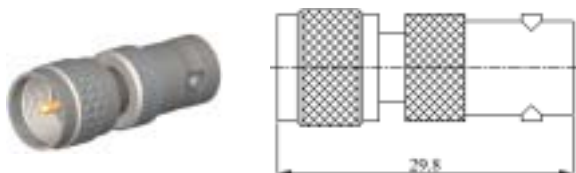
PART NUMBER | MU-15-DGN

### MINI UHF PLUG-N JACK ADAPTOR



PART NUMBER | MU-09-DGN

### MINI UHF PLUG-BNC JACK ADAPTOR



PART NUMBER | MU-10-DGN

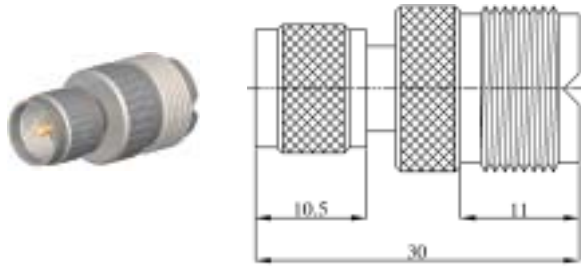
### MINI UHF JACK-BNC PLUG ADAPTOR



PART NUMBER | MU-11-DGN

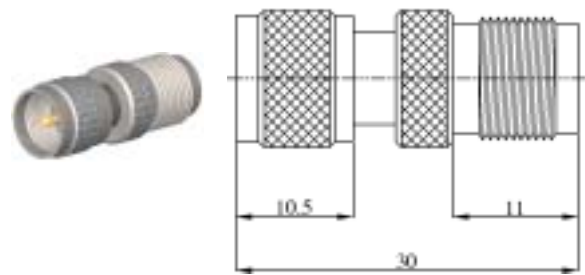
TGN : TEFLON INSULATION + GOLD PLATED CONTACT + NICKEL PLATED BODY  
 TGG : TEFLON INSULATION + GOLD PLATED CONTACT + GOLD PLATED BODY  
 DGN : DELRIN INSULATION + GOLD PLATED CONTACT + NICKEL PLATED BODY

### MINI UHF PLUG-UHF JACK ADAPTOR



PART NUMBER	MU-12-DGN
-------------	-----------

### MINI UHF PLUG- TNC JACK ADAPTOR



PART NUMBER	MU-13-DGN
-------------	-----------