



SMC Series

SMC

SMC (Sub-Miniature-C) series is similar in design as the SMB, but supplied with a threaded coupling interface rather than a snap on interface. Along with the screw coupling, it gets tighter control of the contact and insulator locations. This makes the SMC suitable for use in high vibration environments. This series is controlled at 50 ohms impedance, and it can be operated up to the frequencies of 10GHz. The SMC range is suitable for the standard ranges of flexible & semi-rigid cables, and it is also available as a PCB mounted version.

Applications:

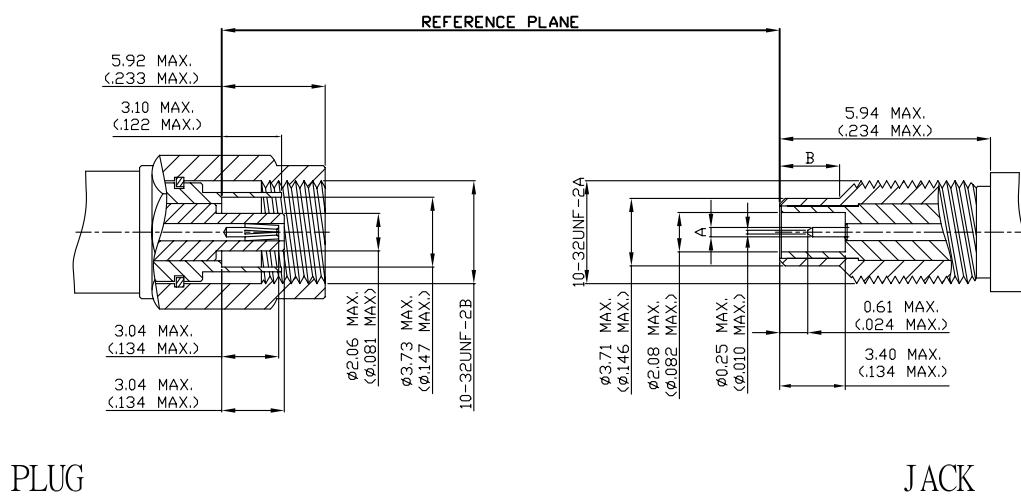
*microwave telephony *non-military telecommunications

Interface dimensions conformable to the Standards:

International: IEC 169-9

USA: MIL-C-39012

SMC Interface Dimensions:



SMC Series						
PLUG			JACK			
	Minimum	Maximum		Minimum	Maximum	
				0.48(.019)	0.53(.021)	A
				3.12(.123)	3.83(.133)	B

*Millimeters(Inches)



Materials :

Connector part	Material	Finish
Bodies	Brass	Nickel or Gold
Center Contact	Male: Brass Female: Beryllium copper	Gold
Insulator	Teflon	N/A
Crimp ferrule	Annealed copper	Nickel or Gold

Electrical :

Electrical Data	Detail		
Impedance	50 ohm		
Frequency range	0~10 GHz		
Working voltage	RG178/U	250 volts rms max. at sea level	
	RG316/U, 405	335 volts rms max. at sea level	
Insulation resistance	1,000 megohms min.		
Dielectric withstanding voltage	RG178/U	500 volts rms min. at sea level	
	RG316/U, 405	750 volts rms min. at sea level	
Contact resistance	Center contact: 6 milliohm max. Outer contact: 1 milliohm max.		
VSWR : f (GHz)		Straight	Right angle
	RG178/U	1.25+0.04f	1.4+0.06f
	RG316/U, 405	1.20+0.04f	1.3+0.04f
Insertion loss	0.25dB max. (straight) 0.6 dB max. (right angle)		

Mechanical :

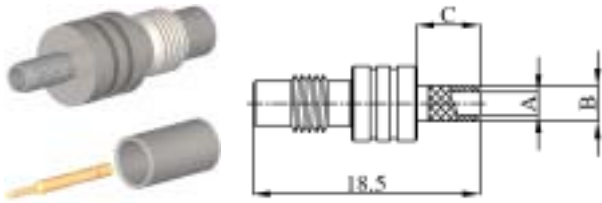
Mechanical Data	Detail		
Coupling nut retention	35 lbs min.		
Coupling nut torque	15 lbs-inch min.		
Connector durability	500 cycles min.		
Cable retention force	RG178/U	10 lbs	
	RG316/U	20 lbs	
	RG405	30 lbs	

Environmental :

Environmental Data	Detail		
Corrosion (Salt spray)	MIL-STD-202 METHOD 101 CONDITION B		
Thermal shock	MIL-STD-202 METHOD 107 CONDITION B		
Vibration	MIL-STD-202 METHOD 204 CONDITION D		
Mechanical shock	MIL-STD-202 METHOD 213 CONDITION C		

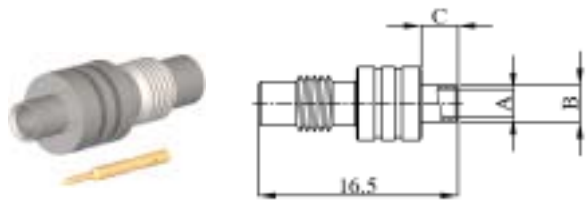
SMC STRAIGHT PLUG FOR CABLE TYPE

CRIMP FOR FLEXIBLE CABLE



PART NUMBER	A	B	C	CABLE TYPE(RG/U)
SMC-06LV1-TGG	1.7	2.7	5	174 , 188A , 316
SMC-06M-TGG	1.0	2.0	5	178 , 196
SMC-06N-TGG	1.7	2.7	5.0	179B,187A

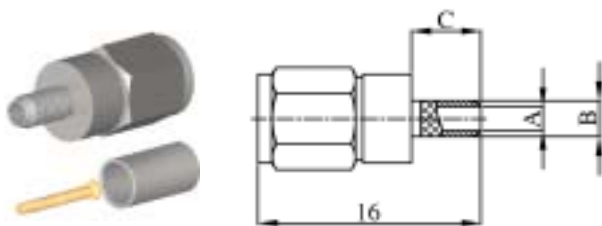
SOLDER FOR SEMI-RIGID CABLE



PART NUMBER	A	B	C	CABLE TYPE(RG/U)
SMC-06V1-TGG	2.3	3	3.3	RG405U(.085")
SMC-06V3-TGG	1.4	2.2	3.3	UT-47(.047")

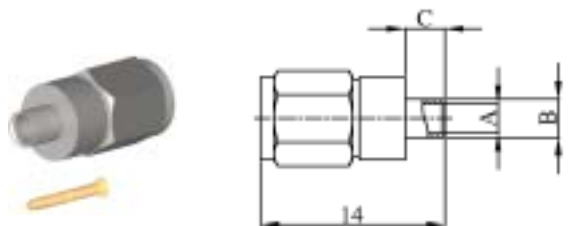
SMC STRAIGHT JACK FOR CABLE TYPE

CRIMP FOR FLEXIBLE CABLE



PART NUMBER	A	B	C	CABLE TYPE(RG/U)
SMC-07LV1-TGG	1.7	2.7	5	174 , 188A , 316
SMC-07M-TGG	1.0	2.0	5	178 , 196
SMC-07N-TGG	1.7	2.7	5.0	179B,187A

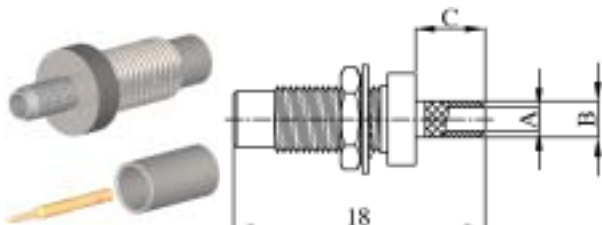
SOLDER FOR SEMI-RIGID CABLE



PART NUMBER	A	B	C	CABLE TYPE(RG/U)
SMC-07V1-TGG	2.3	3	3.3	RG405U(.085")
SMC-07V3-TGG	1.4	2.2	3.3	UT-47(.047")

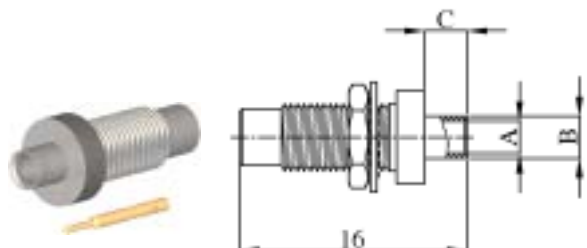
SMC STRAIGHT PLUG BULKHEAD FOR CABLE TYPE

CRIMP FOR FLEXIBLE CABLE



PART NUMBER	A	B	C	CABLE TYPE(RG/U)
SMC-01LV1-TGG	1.7	2.7	5	174 , 188A , 316
SMC-01M-TGG	1.0	2.0	5	178 , 196
SMC-01N-TGG	1.7	2.7	5.0	179B,187A

SOLDER FOR SEMI-RIGID CABLE

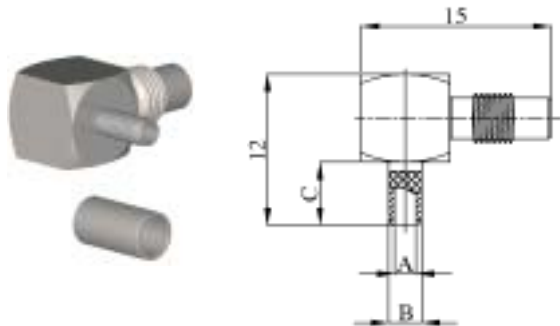


PART NUMBER	A	B	C	CABLE TYPE(RG/U)
SMC-01V1-TGG	2.3	3	3.3	RG405U(.085")
SMC-01V3-TGG	1.4	2.2	3.3	UT-47(.047")



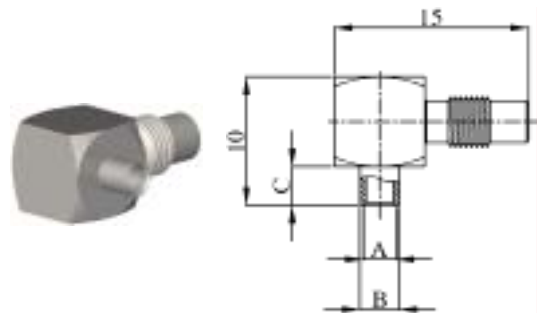
SMC RIGHT ANGLE PLUG FOR CABLE TYPE

CRIMP FOR FLEXIBLE CABLE



PART NUMBER	A	B	C	CABLE TYPE(RG/U)
SMC-08LV1-TGG	1.7	2.7	5	174, 188A, 316
SMC-08M-TGG	1.0	2.0	5	178, 196
SMC-08N-TGG	1.7	2.7	5.0	179B,187A

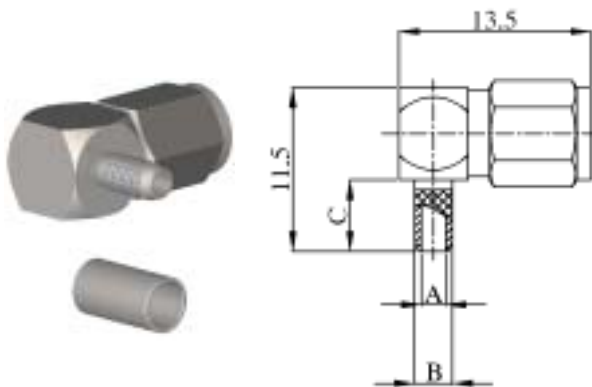
SOLDER FOR SEMI-RIGID CABLE



PART NUMBER	A	B	C	CABLE TYPE(RG/U)
SMC-08V1-TGG	2.3	3	3.3	RG405U(.085")
SMC-08V3-TGG	1.4	2.2	3.3	UT-47(.047")

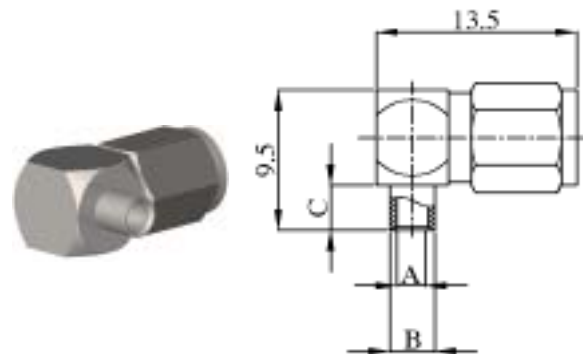
SMC RIGHT ANGLE JACK FOR CABLE TYPE

CRIMP FOR FLEXIBLE CABLE



PART NUMBER	A	B	C	CABLE TYPE(RG/U)
SMC-03LV1-TGG	1.7	2.7	5	174, 188A, 316
SMC-03M-TGG	1.0	2.0	5	178, 196
SMC-03N-TGG	1.7	2.7	5.0	179B,187A

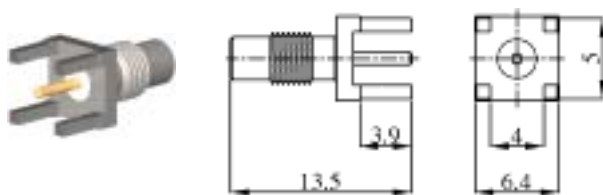
SOLDER FOR SEMI-RIGID CABLE



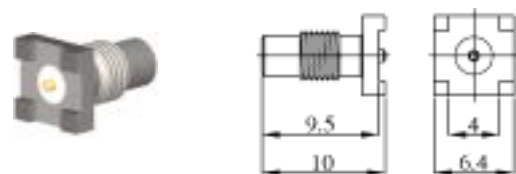
PART NUMBER	A	B	C	CABLE TYPE(RG/U)
SMC-03V1-TGG	2.3	3	3.3	RG405U(.085")
SMC-03V3-TGG	1.4	2.2	3.3	UT-47(.047")

SMC STRAIGHT PLUG PCB RECEPTACLE

SURFACE MOUNT



PART NUMBER	SMC-10-TGG(-75)
-------------	-----------------

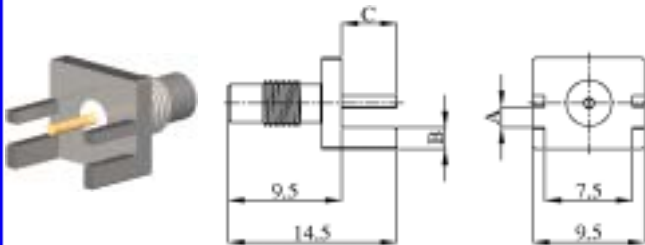


PART NUMBER	SMC-10-TGG(-75)
-------------	-----------------

TGN : IEFロン INSULATION + GOLD PLATED CONTACT + NICKEL PLATED BODY
 TGG : IEFロン INSULATION + GOLD PLATED CONTACT + GOLD PLATED BODY
 75 : 75OHM

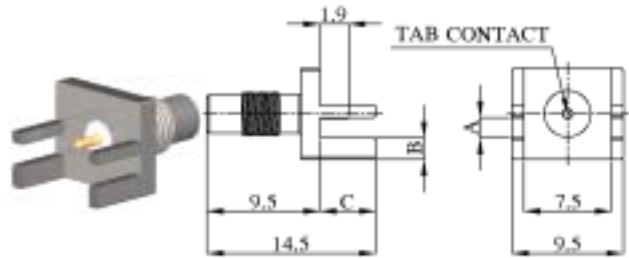
SMC STRAIGHT PLUG PCB END LAUNCH RECEPTACLE

ROUND CONTACT



PART NUMBER | SMC-10V5-TGG(-75)

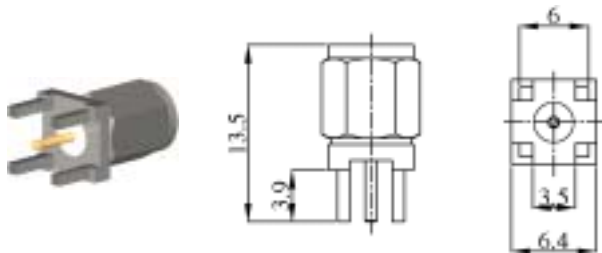
TAB CONTACT



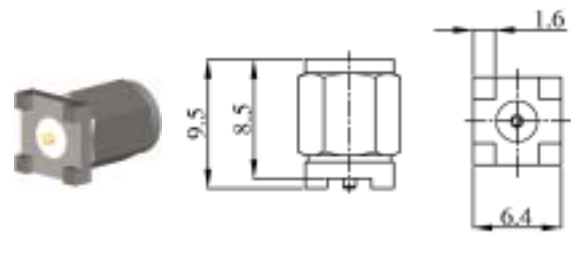
PART NUMBER | SMC-10V6-TGG(-75)

SMC STRAIGHT JACK PCB MOUNT

SURFACE MOUNT



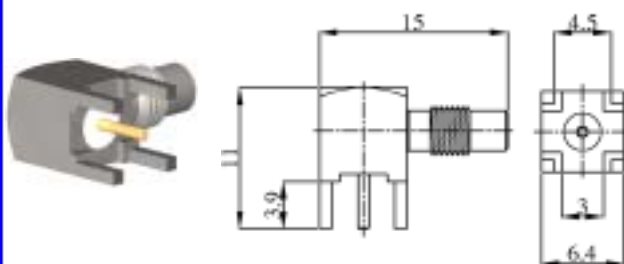
PART NUMBER | SMC-11-TGG(-75)



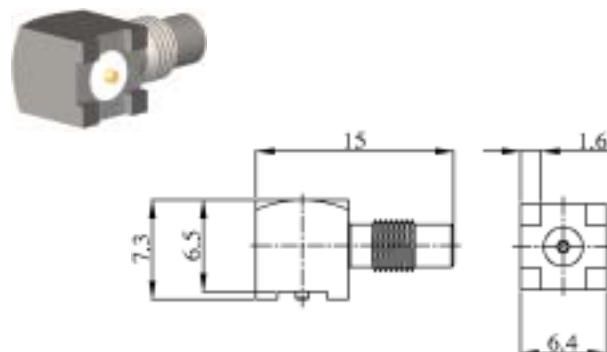
PART NUMBER | SMC-11V4-TGG(-75)

SMC RIGHT ANGLE PLUG PCB MOUNT

SURFACE MOUNT



PART NUMBER | SMC-05-TGG(-75)

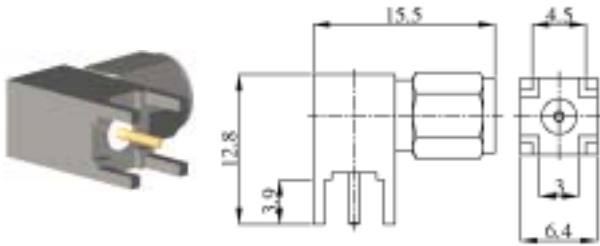


PART NUMBER | SMC-05V4-TGG(-75)

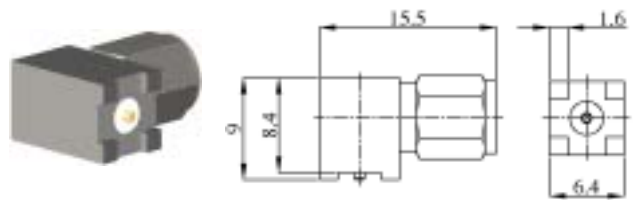


SMC RIGHT ANGLE JACK PCB MOUNT

SURFACE MOUNT

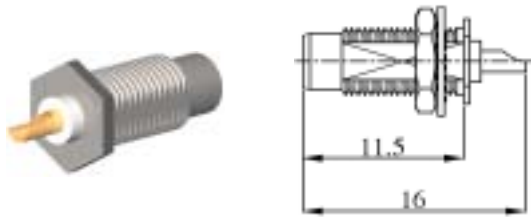


PART NUMBER	SMC-09-TGG(-75)
-------------	-----------------

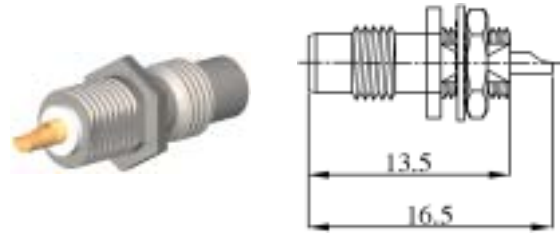


PART NUMBER	SMC-09V4-TGG(-75)
-------------	-------------------

SMC STRAIGHT PLUG BULKHEAD RECEPTACLE

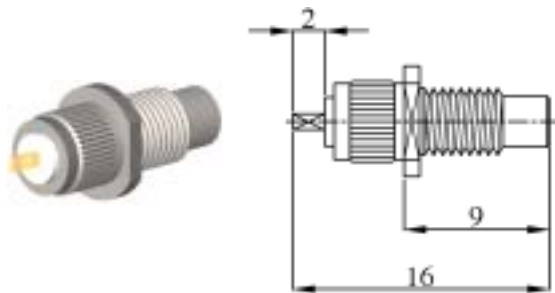


PART NUMBER	SMC-17-TGG(-75)
-------------	-----------------



PART NUMBER	SMC-17V4-TGG(-75)
-------------	-------------------

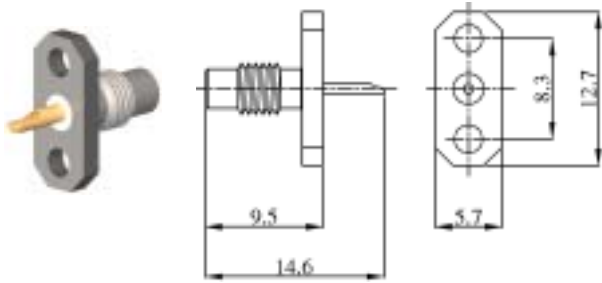
PRESS IN



PART NUMBER	SMC-04-TGG(-75)
-------------	-----------------

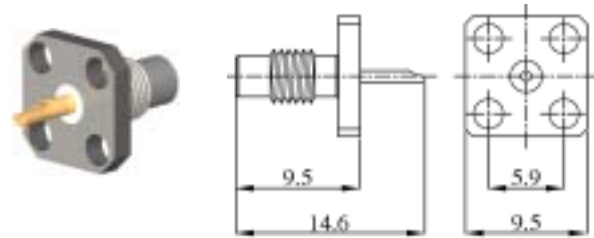
TGN : IEFロン INSULATION + GOLD PLATED CONTACT + NICKEL PLATED BODY
 TGG : IEFロン INSULATION + GOLD PLATED CONTACT + GOLD PLATED BODY
 75 : 75OHM

SMC PLUG 2 HOLES FLANGE MOUNT



PART NUMBER	SMC-12-TGG(-75)
-------------	-----------------

SMC PLUG 4 HOLES FLANGE MOUNT



PART NUMBER	SMC-13-TGG(-75)
-------------	-----------------