



# SSMB Series

## SSMB Series

SSMB series is a micro-miniature connector supplied with snap on interface, which provides a quick connection and disconnection in small spaces. The SSMB connectors can be operated up to 3GHz, and its impedance is controlled at 50 ohms. This series is suitable for the standard ranges of flexible cables, and it's also available as a PCB mounted version.

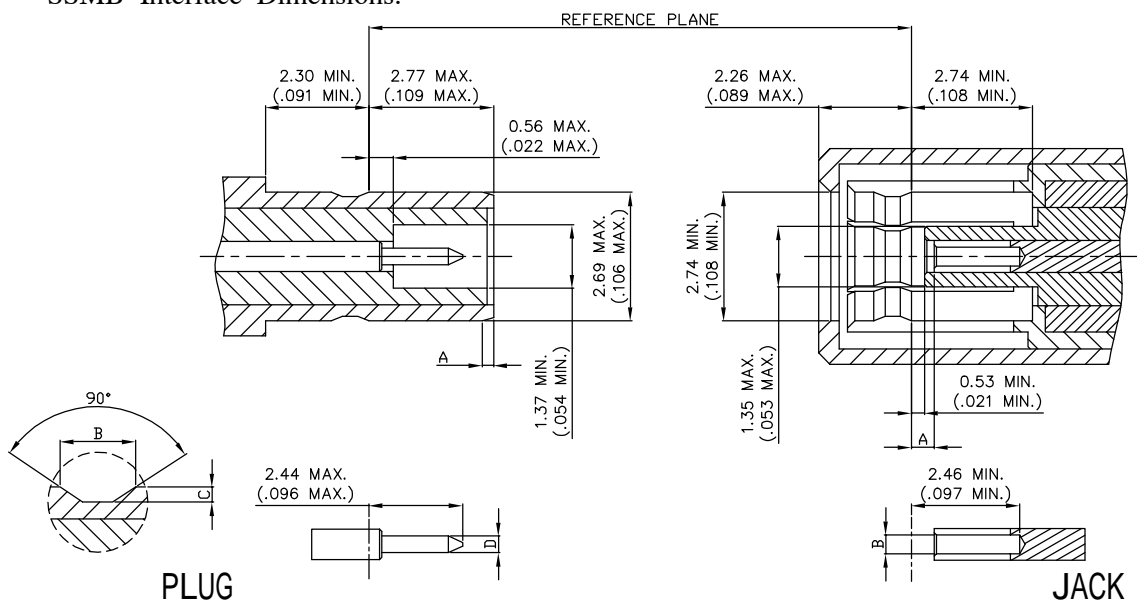
### Applications:

- \*mobile communication systems
- \*civil and military telecommunications
- \*video equipment

### Interface dimensions conformable to the Standards:

International: IEC 169-19

SSMB Interface Dimensions:



SSMB Series					
PLUG			JACK		
	Minimum	Maximum	Minimum	Maximum	
A	0.00<.000>	0.51<.020>	0.53<.021>	0.89<.035>	A
B	0.63<.002>	0.74<.029>	0.356<.014>	0.381<.150>	B
C	0.05<.002>	0.15<.006>			
D	0.356<.014>	0.381<.150>			

\*Millimeters(Inches)



Materials :

Connector part	Material	Finish
Bodies	Brass	Nickel or Gold
Center Contact	Male: Brass Female: Beryllium copper	Gold
Insulator	Teflon	N/A
Crimp ferrule	Annealed copper	Nickel or Gold

Electrical :

Electrical Data	Detail		
Impedance	50 ohm		
Frequency range	0~3 GHz		
Working voltage	250 volts rms max.		
Insulation resistance	1,000 megohms min.		
Contact resistance	Center contact: 6 milliohms max. Outer contact: 1.5 milliohms max.		
VSWR: f (GHz)		Straight	Right angle
	RG178/U	1.25+0.020f	1.25+0.030f
	RG174, 316/U	1.30+0.020f	1.30+0.030f
	RG405 (.085")	1.25+0.015f	1.25+0.025f
Insertion loss	0.3dB max.		

Mechanical :

Mechanical Data	Detail
Engagement force	8 lbs max.
Disengagement force	2 inch-pound min.
Connector durability	500 cycles min.
Contact retention	2 lbs min. axial force

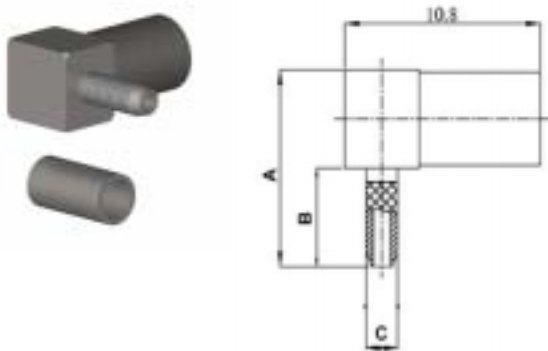
Environmental :

Environmental Data	Detail
Corrosion (Salt spray)	MIL-STD-202 METHOD 101 CONDITION B
Thermal shock	MIL-STD-202 METHOD 107 CONDITION B
Vibration	MIL-STD-202 METHOD 204 CONDITION B
Mechanical shock	MIL-STD-202 METHOD 213 CONDITION B
Temperature range	-65 to 165

SSMB

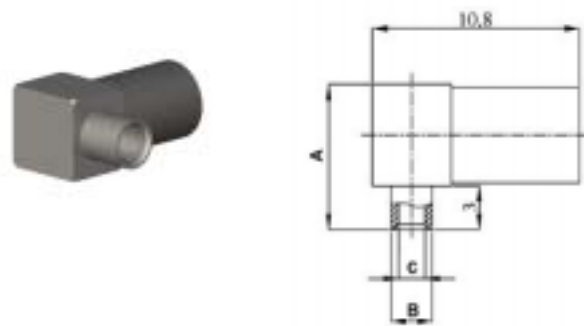
### SSMB ANGLE JACK FOR CABLE TYPE

CRIMP FOR FLEXIBLE CABLE



PART NUMBER	A	B	C	CABLE TYPE(RG/U)
SSMB-02LV1-TGG	10	5	2.6	174, 188A, 316
SSMB-02M-TGG	10	5	2	178, 196

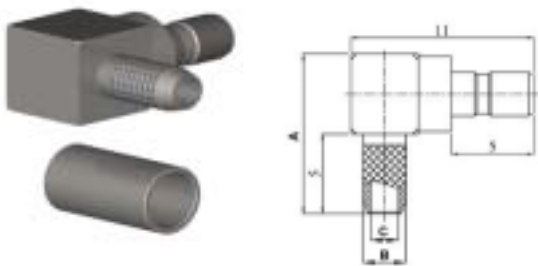
SOLDER FOR SEMI-RIGID CABLE



PART NUMBER	A	B	C	CABLE TYPE(RG/U)
SSMB-02V1-TGG	8	3	2.3	RG405U(.085")
SSMB-02V3-TGG	8	2.2	1.35	UT-47(.047")

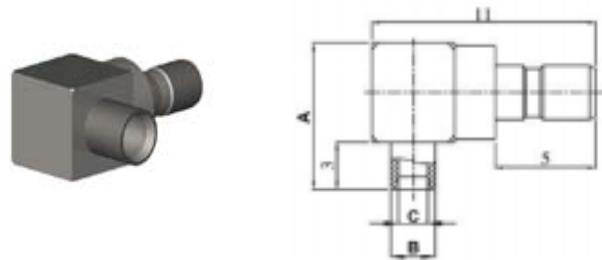
### SSMB ANGLE PLUG FOR CABLE TYPE

CRIMP FOR FLEXIBLE CABLE



PART NUMBER	A	B	C	CABLE TYPE(RG/U)
SSMB-04LV1-TGG	10	2.6	1.7	174, 188A, 316
SSMB-04M-TGG	10	2	1	178, 196

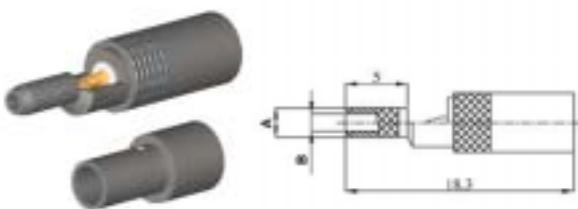
SOLDER FOR SEMI-RIGID CABLE



PART NUMBER	A	B	C	CABLE TYPE(RG/U)
SSMB-04V1-TGG	8	3	2.3	RG405U (.085")
SSMB-04V3-TGG	8	2.2	1.35	UT-47 (.047")

### SSMB STRAIGHT JACK FOR CABLE TYPE

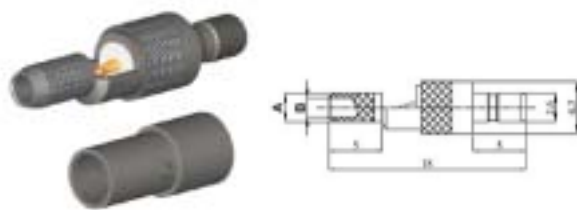
CRIMP FOR FLEXIBLE CABLE



PART NUMBER	A	B	C	CABLE TYPE(RG/U)
SSMB-01LV1-TGG	2.7	1.7	174, 188A, 316	
SSMB-01M-TGG	2	1	178, 196	

### SSMB STRAIGHT PLUG FOR CABLE TYPE

CRIMP FOR FLEXIBLE CABLE



PART NUMBER	A	B	C	CABLE TYPE(RG/U)
SSMB-03LV1-TGG	2.7	1.7	174, 188A, 316	
SSMB-03M-TGG	2	1	178, 196	