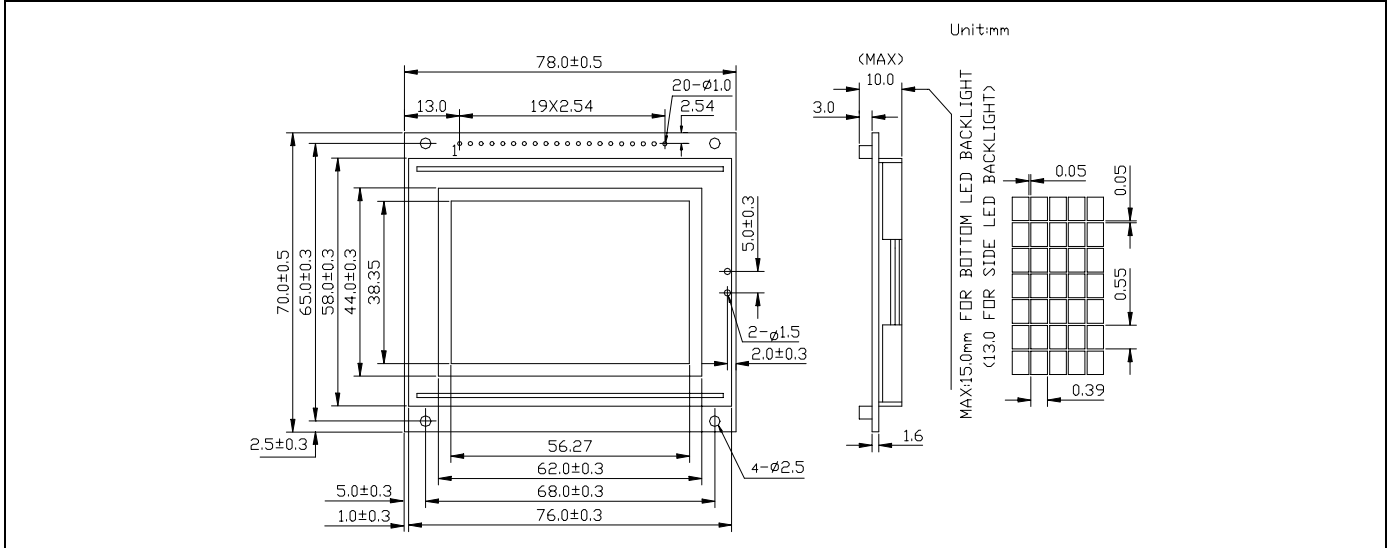




JM12864B

128DOTS×64DOTS
1/64 DUTY,1/9 BIAS

1 EXTERNAL DIMENSION



2 MECHANICAL DATA

ITEM	SPECIFICATION	UNIT
Module Size (W×H×T)	78.0×70.0×10.0(LED:15.0)	mm
Viewing Area (W×H)	62.0×44.0	mm
Number of Dots(W×H)	128×64	dots
Dot Pitch (W×H)	0.44×0.60	mm
Dot Size(W×H)	0.39×0.55	mm

5 ABSOLUTE MAXIMUM RATINGS

PARAMETER	SYMBOL	MIN.	MAX.	UNIT
Supply Voltage	Vdd	-0.3	7.0	V
LCD Supply Voltage	Vee	Vdd-28	Vdd+8	V
Input Voltage	Vr	-0.3	Vdd+0.3	V
Operating Temperature	Top	0	50	°C
Storage Temperature	Tstg	-20	70	°C

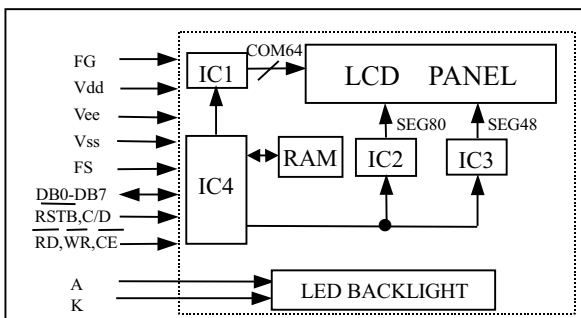
3 PIN CONNECTIONS

PIN	SYMBOL	SIGNAL DESCRIPTION
1	FG	Frame GND
2	Vss	GND
3	Vdd	Power Supply
4	Vee	Power Supply for LCD
5	WR	Write when "L"
6	RD	Read when "L"
7	CE	Enable when "L"
8	CS	Register Select(L=DATA,H=Instruction)
9	RSTB	Reset Signal when "L"
10 to 17	DB0 to DB7	Data Bus for 8bit Mode
18	FS	Select character style 6X8 or 8X8
19	A	Anode of LED Unit
20	K	Cathode of LED Unit

6 ELECTRICAL CHARACTERISTICS(Ta=25°C)

ITEM	SYMBOL	CONDITION	MIN.	TYP.	MAX.	UNIT
Supply Voltage(logic)	Vdd-Vss	-	4.5	5.0	5.5	V
Supply Current(logic)	Idd	Vdd=5.0	-	4.0	-	mA
Driving Current(LCD)	Iee	Vee=-7.8	-	2.8	-	mA
Driving Voltage(LCD)	Vdd-Vee	25°C	-	12.8	-	V
Input Voltage "H"	VIH	H	Vdd-2.2	-	Vdd	V
Input Voltage "L"	VIL	L	0	-	0.8	V
Output Voltage "H"	VOH	H	Vdd-0.3	-	Vdd	V
Output Voltage "L"	VOL	L	0	-	0.3	V

4 BLOCK DIAGRAM



7 BACKLIGHT CHARACTERS(Ta=25°C)

PARAMETER	SYMBOL	CONDITION	MIN.	TYP.	MAX.	UNIT
Supply Voltage	VLED	-	-	4.1	-	V
LED Forward Consumption Current	If(Side)	Ta=25°C Vf=4.1V	-	83	-	mA
	If(Bottom)		-	192	-	
LED Allowable Dissipation	Pd(Side)	-	-	350	-	mW
	Pd(Bottom)		-	790	-	