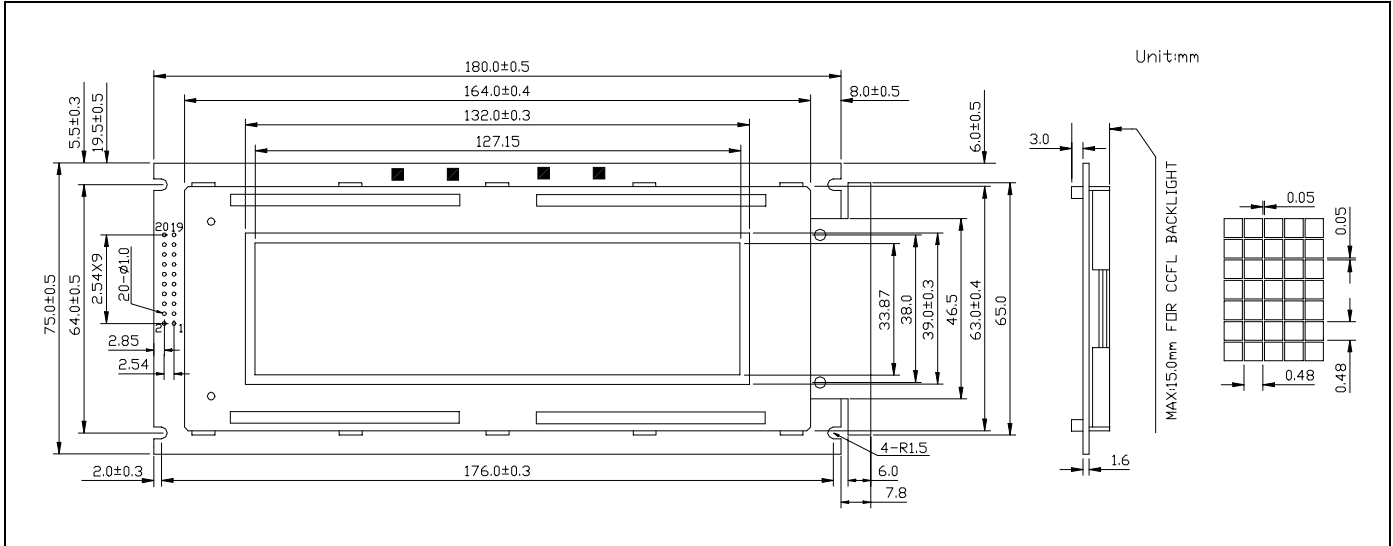




JM24064B-CCFL

240DOTS×64DOTS
1/64 DUTY,1/9 BIAS

1 EXTERNAL DIMENSION



2 MECHANICAL DATA

ITEM	SPECIFICATION	UNIT
Module Size (W×H×T)	188.0×75.0×15.0	mm
Viewing Area (W×H)	132.0×39.0	mm
Number of Dots(W×H)	240×64	dots
Dot Pitch (W×H)	0.53×0.53	mm
Dot Size(W×H)	0.48×0.48	mm

5 ABSOLUTE MAXIMUM RATINGS

PARAMETER	SYMBOL	MIN.	MAX.	UNIT
Supply Voltage	Vdd	-0.3	7.0	V
LCD Supply Voltage	Vee	Vdd-28	Vdd-8	V
Input Voltage	Vr	-0.3	Vdd+0.3	V
Operating Temperature	Top	0	50	°C
Storage Temperature	Tstg	-20	70	°C

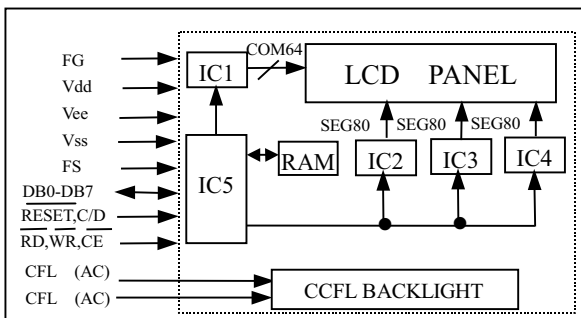
3 PIN CONNECTIONS

PIN	SYMBOL	SIGNAL DESCRIPTION
1	FG	Frame GND
2	Vss	GND
3	Vdd	Power Supply
4	Vee	Power Supply for LCD
5	WR	Write when "L"
6	RD	Read when "L"
7	CE	Enable when "L"
8		Register Select(L=DATA,H=Instruction)
9	RESET	Reset Signal when "L"
10 to 17	DB0 to DB7	Data Bus for 8bit Mode
18	FS	Select character style 6X8 or 8X8
19	A	Anode of LED Unit
20	K	Cathode of LED Unit

6 ELECTRICAL CHARACTERISTICS(Ta=25°C)

ITEM	SYMBOL	CONDITION	MIN.	TYP.	MAX.	UNIT
Supply Voltage(logic)	Vdd-Vss	-	4.5	5.0	5.5	V
Supply Current(logic)	Idd	Vdd=5.0	-	8.6	-	mA
Driving Current(LCD)	Iee	Vee=-7.8	-	4.0	-	mA
Driving Voltage(LCD)	Vdd-Vee	25°C	-	12.8	-	V
Input Voltage "H"	V _{IH}	H	Vdd-2.2	-	Vdd	V
Input Voltage "L"	V _{IL}	L	0	-	0.8	V
Output Voltage "H"	V _{OH}	H	Vdd-0.3	-	Vdd	V
Output Voltage "L"	V _{OL}	L	0	-	0.3	V

4 BLOCK DIAGRAM



7 CCFL BACKLIGHT CHARACTERS(Ta=25°C)

PARAMETER	SYMBOL	CONDITION	MIN.	TYP.	MAX.	UNIT
Invertor Input Voltage	V _i	-	0	5	12	V(DC)
CCFL operating voltage	V _{CCFL}	-	200	-	800	V(AC)
CCFL operating current	I _f	-	-	5.5	-	mA
CCFL power consumption	P _d	-	1.1	-	4.7	W