

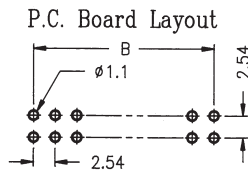
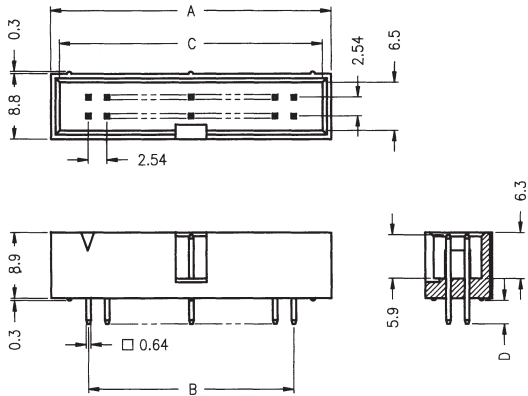
Low Profile Header, gerade, Raster 2.54mm

Electrical Characteristics:

Contact Current Rating	1A
Contact Resistance	15mΩ max.
Insulation Resistance	1000MΩ at 500 VDC
Operating Temperature	-55°C to +105°C
Dielectric Withstanding Voltage	500V AC for 1 Min.

Materials:

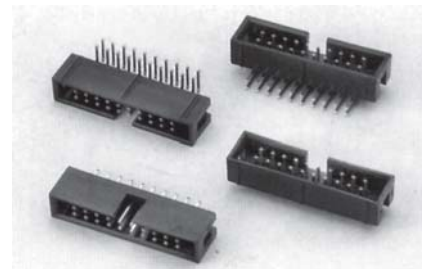
Insulator	Glass-Fibered PBT, UL94V-0, black
Contacts	Phosphor Bronze or Brass
Contact Plated	Gold over 50µ" nickel



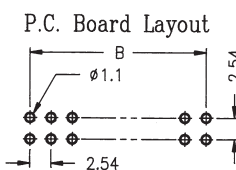
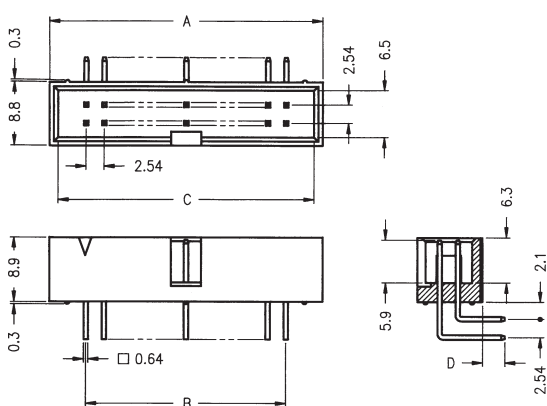
No. of Contacts	Dim. A	Dim. B	Dim. C	Dim. D
10	20.32 [0.800]	10.16 [0.400]	17.92 [0.706]	3.3
14	25.40 [1.000]	15.24 [0.600]	23.00 [0.906]	
16	27.94 [1.100]	17.78 [0.700]	25.54 [1.006]	
20	33.02 [1.300]	22.86 [0.900]	30.62 [1.206]	
26	40.64 [1.600]	30.48 [1.200]	38.24 [1.506]	
30	45.72 [1.800]	35.56 [1.400]	43.32 [1.706]	

No. of Contacts	Dim. A	Dim. B	Dim. C	Dim. D
34	50.80 [2.000]	40.64 [1.600]	48.40 [1.906]	3.3
36	53.34 [2.100]	43.18 [1.700]	50.94 [2.006]	
40	58.42 [2.300]	48.26 [1.900]	56.02 [2.206]	
50	71.12 [2.800]	60.96 [2.400]	68.72 [2.706]	
60	83.82 [3.300]	73.66 [2.900]	81.42 [3.206]	
64	88.90 [3.500]	78.74 [3.100]	86.50 [3.406]	

Artnr.	Typ	VE	50-	1VE	2VE	4VE
100210	302S-10G	260				
100214	302S-14G	200				
100216	302S-16G	180				
100220	302S-20G	160				
100226	302S-26G	120				
100234	302S-34G	100				
100240	302S-40G	80				
100250	302S-50G	60				
100260	302S-60G	60				
100264	302S-64G	60				



Low Profile Header, abgewinkelt, Raster 2.54mm



No. of Contacts	Dim. A	Dim. B	Dim. C	Dim. D
10	20.32 [0.800]	10.16 [0.400]	17.92 [0.706]	3.3
14	25.40 [1.000]	15.24 [0.600]	23.00 [0.906]	
16	27.94 [1.100]	17.78 [0.700]	25.54 [1.006]	
20	33.02 [1.300]	22.86 [0.900]	30.62 [1.206]	
26	40.64 [1.600]	30.48 [1.200]	38.24 [1.506]	
30	45.72 [1.800]	35.56 [1.400]	43.32 [1.706]	

No. of Contacts	Dim. A	Dim. B	Dim. C	Dim. D
34	50.80 [2.000]	40.64 [1.600]	48.40 [1.906]	3.3
36	53.34 [2.100]	43.18 [1.700]	50.94 [2.006]	
40	58.42 [2.300]	48.26 [1.900]	56.02 [2.206]	
50	71.12 [2.800]	60.96 [2.400]	68.72 [2.706]	
60	83.82 [3.300]	73.66 [2.900]	81.42 [3.206]	
64	88.90 [3.500]	78.74 [3.100]	86.50 [3.406]	

Artnr.	Typ	VE	25-	100-	1VE	2VE
100910	302R-10G	260				
100914	302R-14G	200				
100916	302R-16G	180				
100920	302R-20G	160				
100926	302R-26G	120				
100934	302R-34G	100				
100940	302R-40G	80				
100950	302R-50G	60				
100960	302R-60G	60				
100964	302R-64G	60				

