

Serie DMS - Gerade Printausführung

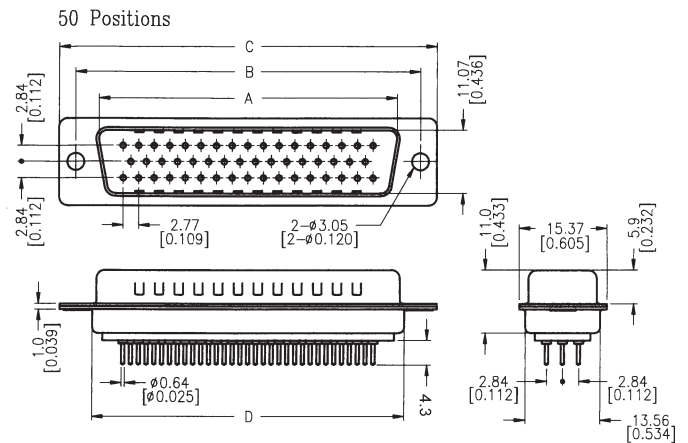
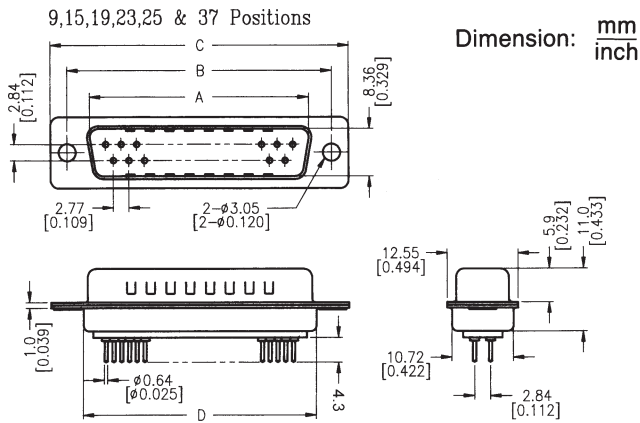
Elektrische Eigenschaften / Electrical Characteristics:

Betriebsstrom / Contact Current Rating	5A
Durchgangswiderstand / Contact Resistance	15mΩ max.
Isolationswiderstand / Insulation Resistance	1000MΩ
Temperaturbereich / Operating Temperature	-55°C to +105°C
Max. Spannung / Dielectric Withstanding Voltage	1000V AC for 1 Min.

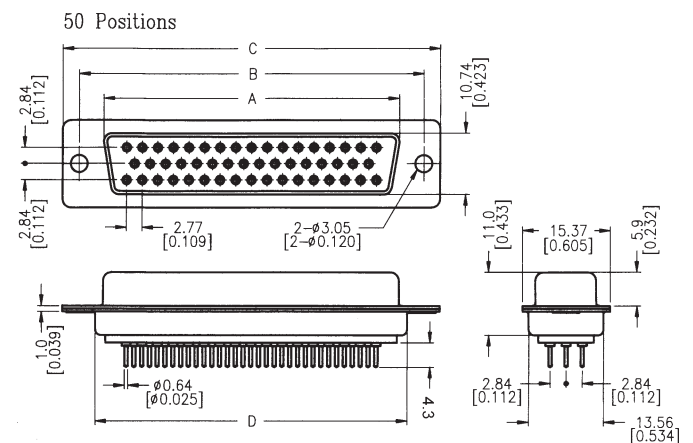
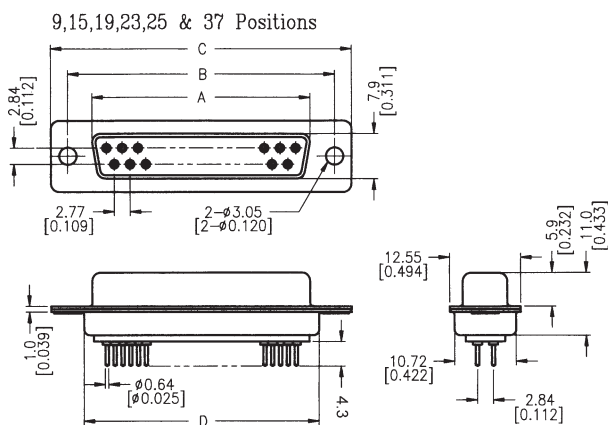
Material:

Isolierkörper / Insulator	Glass-Fibered PBT, UL94V-0
Kontakte / Contacts	Phosphor Bronze or Brass
Kontaktauflage / Contact Plated	Hardgold over 50μ" nickel
Gehäuse / Shell	Steel, Tin plated

Stiftleiste mit Schirmfeder (male)

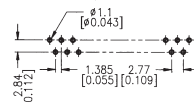


Buchsenleiste (female)

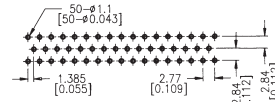


Pins	A (male)	A (fem.)	B	C	D
9	16.9	16.3	25	30.8	19.3
15	25.3	24.7	33.3	39.1	27.5
19	30.7	30.1	38.9	45	32.9
23	35.9	35.6	44.3	50.6	38.4
25	39	38.4	47	53	41.3
37	55.4	54.8	63.5	69.3	57.7
50	52.8	52.4	61.1	66.9	55.3

P.C. Board Layout - 9~37 Pos.



P.C. Board Layout - 50 Pos.



Artnr.	Typ	G	VE	10-	50-	100-	250-
120090	DMS-09P ANM	m	50				
120150	DMS-15P ANM	m	50				
120250	DMS-25P ANM	m	50				
120370	DMS-37P ANM	m	40				
120500	DMS-50P ANM	m	40				
120091	DMS-09S ANS	f	50				
120151	DMS-15S ANS	f	50				
120251	DMS-25S ANS	f	50				
120371	DMS-37S ANS	f	40				
120501	DMS-50S ANS	f	40				

