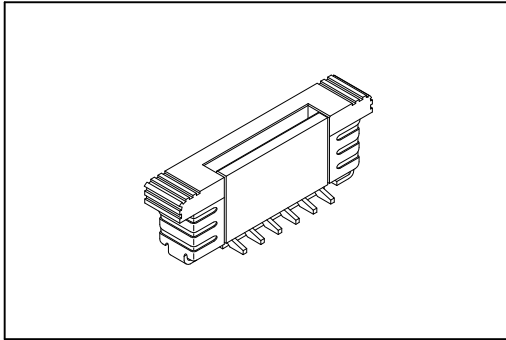


# 2345 Series

## FFC/FPC Connector 0.5mm(0.02") ZIF Type



### Material:

Housing: High Temperature Plastic UL94V-0.

Contacts: Copper Alloy.

Solder Pad: Copper Alloy.

### Electrical Characteristics:

Current Rating: 0.4 A.

Dielectric Withstanding Voltage: AC 250V.

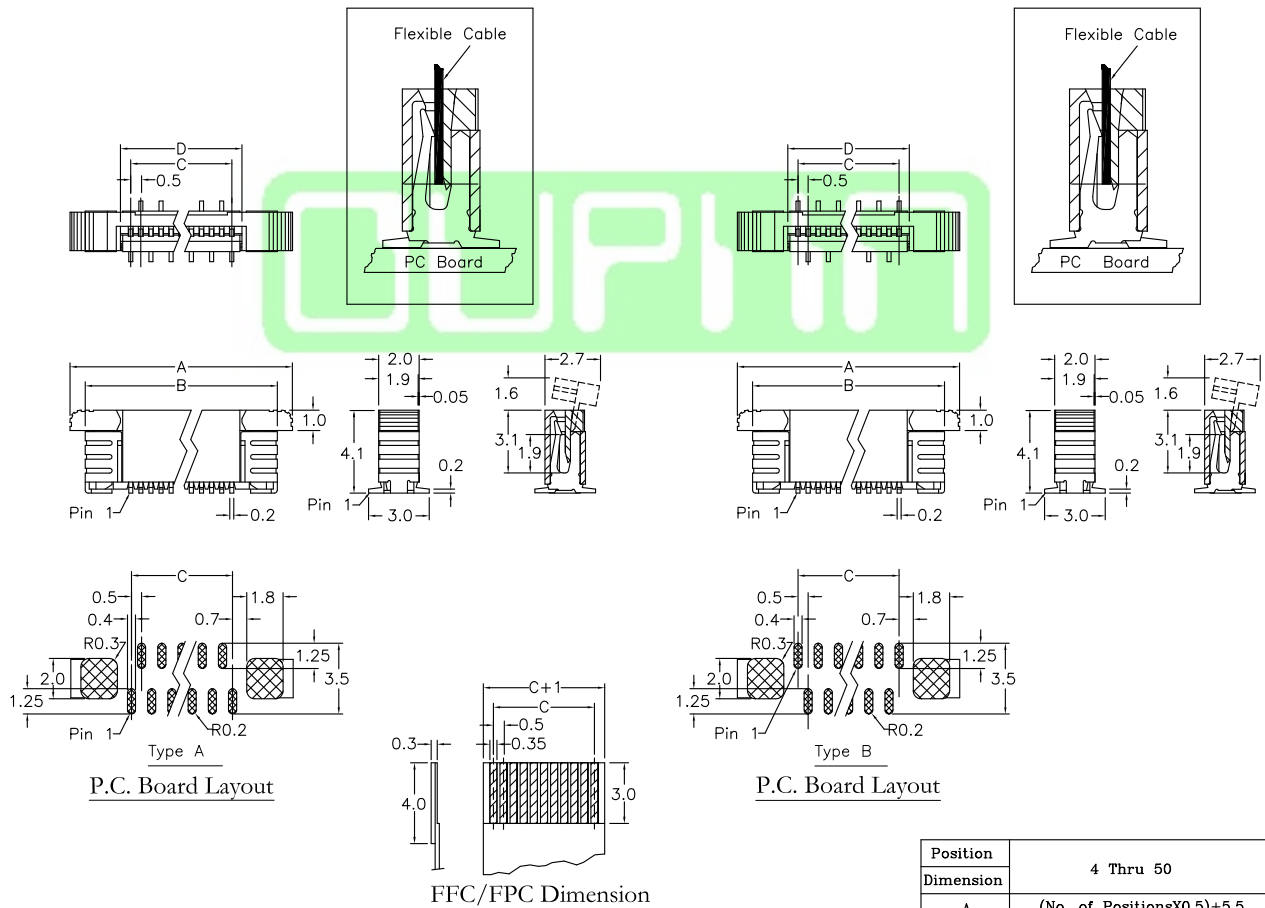
Insulator Resistance: 50MΩ min.

Contact Resistance: 30mΩ max.

Operating Temperature: -25°C~+85°C.

### Features:

- \* ZIF, Surface Mount. Vertical.
- \* Size 4 through 50 available.
- \* For 0.30mm(0.0118") thick FFC/FPC.



Position	4 Thru 50
Dimension	
A	(No. of PositionsX0.5)+5.5
B	(No. of PositionsX0.5)+4.0
C	(No. of PositionsX0.5)-0.5
D	(No. of PositionsX0.5)+0.6

## Ordering Information

**2345-** Series   
**50** No. of Pin Count   
**T** T: Tin Plated   
**D** D: SMD Type   
**3** 3: Vertical Type   
**A** A: Type A   
**B** B: Type B   
**T** T: Tape & Reel Package   
**U** U: Tube Package   
**- M** Blank: Without Pad   
**M** M: Metal Pad