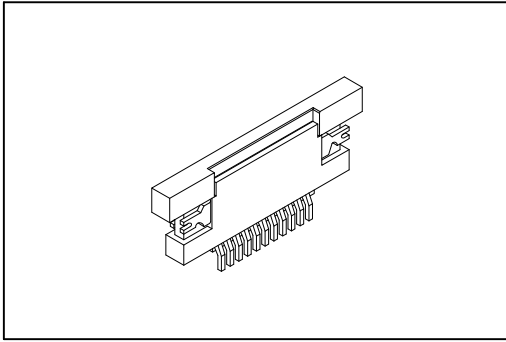


2346 Series

FFC/FPC Connector 0.5mm(0.02") ZIF Type



Material:

Housing: High Temperature Plastic UL94V-0.

Contacts: Phosphor Bronze.

Leg: Brass.

Plating: Tin plated.

Electrical Characteristics:

Current Rating: 0.4 A.

Dielectric Withstanding Voltage: AC 250V.

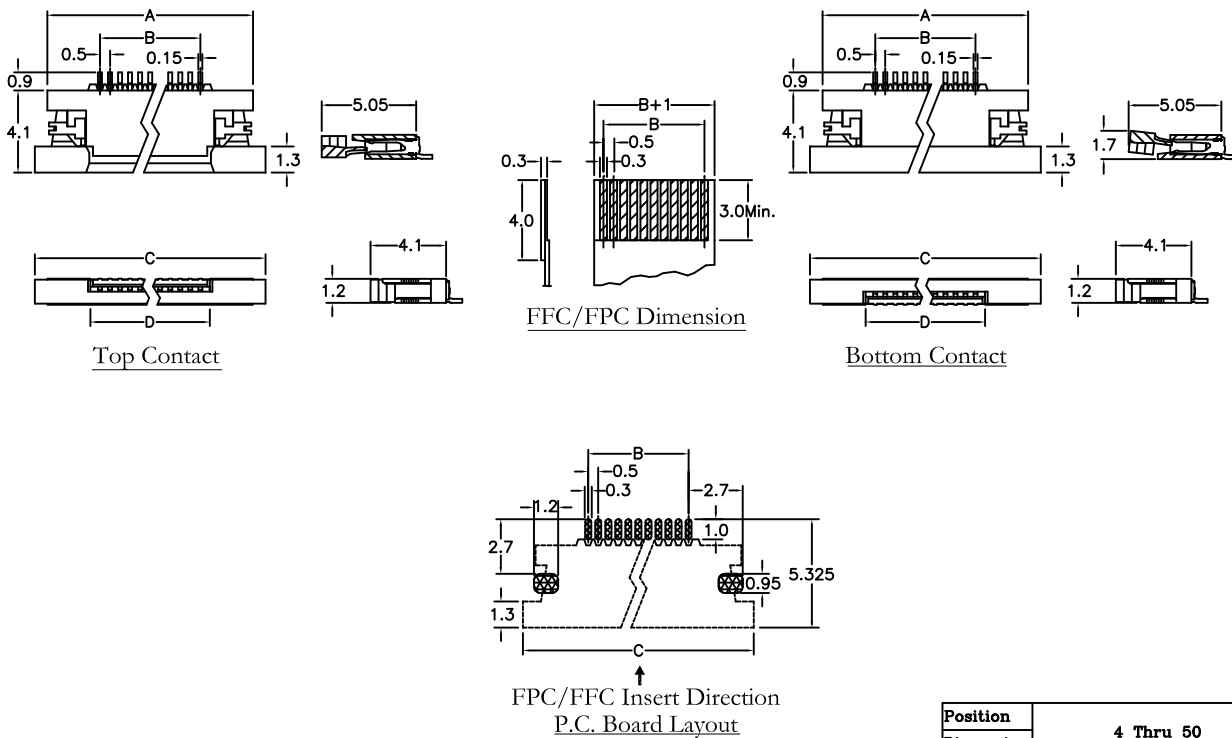
Insulator Resistance: 500MΩ min.

Contact Resistance: 30mΩ max.

Operating Temperature: -25°C~+85°C.

Features:

- * ZIF, Surface Mount.
- * Size 4 through 50 available.
- * For 0.30mm(0.0118") thick FFC/FPC.



Position	4 Thru 50
Dimension	
A	(No. of Positions-1)X0.5+5.25
B	(No. of Positions-1)X0.5
C	(No. of Positions-1)X0.5+6.25
D	(No. of Positions-1)X0.5+1.07

2346-

Series

50

No. of
Pin Count

T

T: Tin Plated

D

D: SMD Type

1

1: Top Contact
2: Bottom Contact

T

T: Tape & Reel Package
U: Tube Package