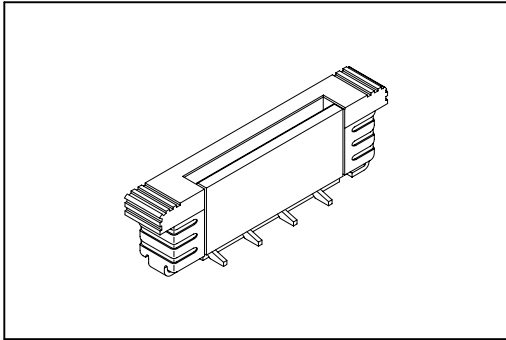


# 2434 Series

## FFC/FPC Connector 1.0mm(0.039") SMD ZIF Type



### Material:

Housing: High temperature housing UL94V-0 withstands IR and VPR soldering methods.

Actuator: PPS.

Contacts: Phosphor Bronze.

Leg: Brass

### Electrical Characteristics:

Current Rating: 0.5 AMP.

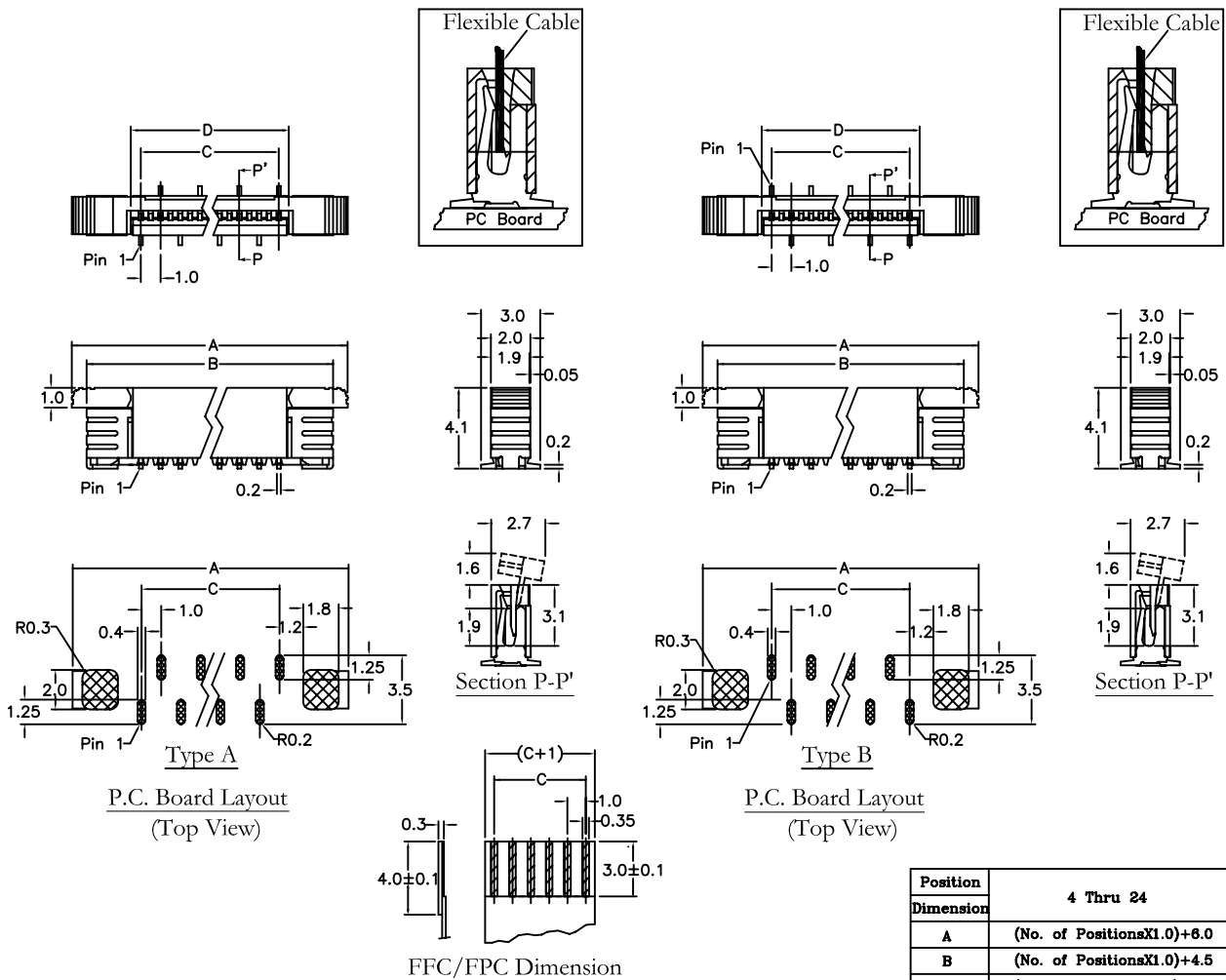
Insulator Resistance: 100MΩ min. at DC 500V.

Contact Resistance: 20mΩ max. at DC 100mA.

Operating Temperature: -55°C~+85°C.

### Features:

- \* ZIF, Surface Mount.
- \* Size 4 through 24 available.
- \* For 0.30mm(0.0118") thick FFC/FPC.



Position	4 Thru 24
Dimension	(No. of PositionsX1.0)+6.0
A	(No. of PositionsX1.0)+4.5
B	(No. of PositionsX1.0)-1.0
C	(No. of PositionsX1.0)+1.1
D	

## Ordering information

2434-

24

T

D

3

A

T

- M

Series

No. of

T: Tin Plated

D:SMD Type

3: Vertical Type

A: Type A

U: Tube Package

Blank: Without Pad

Pin Count

B: Type B

T: Tape & Reel Package

M: Metal Pad