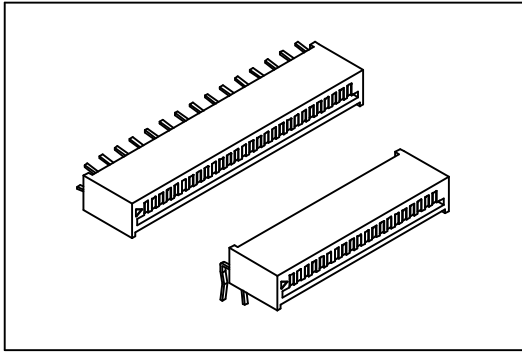


# 2532 SERIES

FFC/FPC CONNECTOR 1.25mm(0.049") NON ZIF TYPE



**Material:**

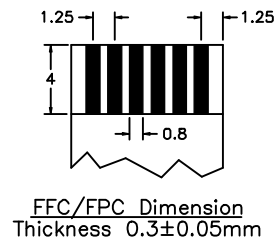
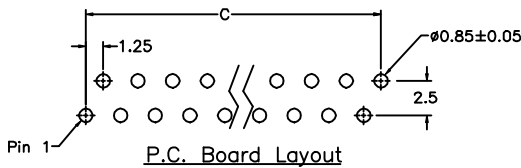
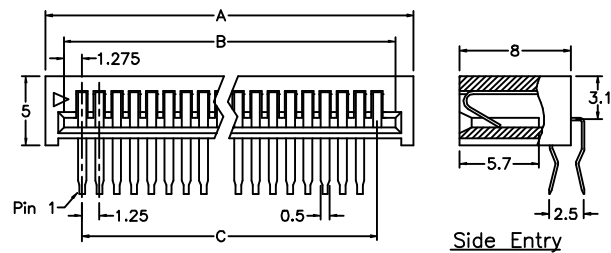
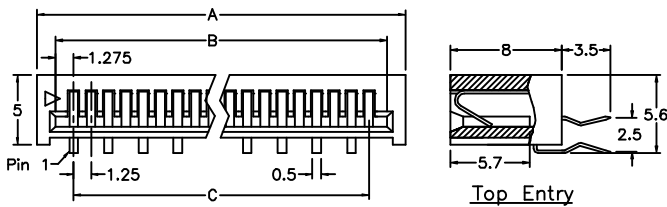
Housing: 30% Glass filled PBT UL94V-0.  
 Contacts: Phosphor Bronze.  
 Plating: Tin plated.

**Electrical Characteristics:**

Current Rating: 1 AMP.  
 Insulator Resistance: 5000M  $\Omega$  min. at DC 500V.  
 Contact Resistance: 20m  $\Omega$  max. at DC 100mA.  
 Operating Temperature: -55°C ~+105°C.

**Features:**

- \* Size 3 through 36 available.
- \* Straight & right angle, Non-ZIF.
- \* For 0.30mm(0.0118") thick FFC/FPC.



Position Dimension	3 Thru 36
A	(No. of Positions X 1.25)+3.4
B	(No. of Positions X 1.25)+1.3
C	(No. of Positions X 1.25)-1.25

## Ordering information

2532-    36    T    S  
 Series    No. of    T: Tin Plated    S: Top Entry (Straight)  
           Pin Count    R: Side Entry (Right Angle)